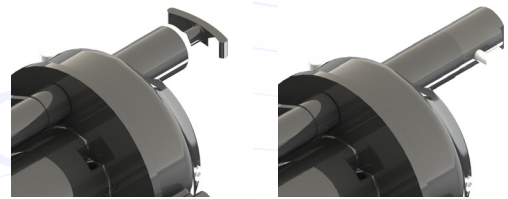
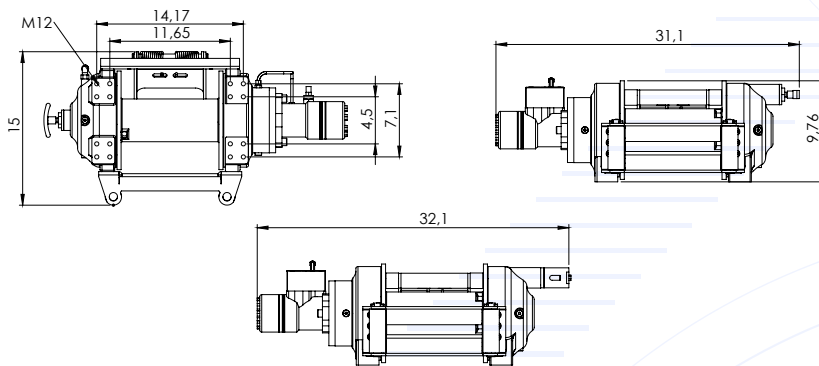
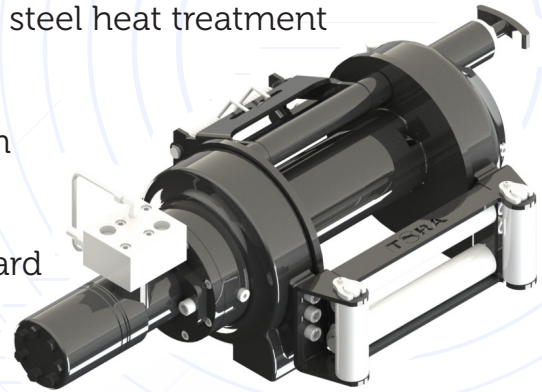


- ▶ High-strength, long-lasting steel body
- ▶ Extra reinforced planetary gear system with special steel heat treatment
- ▶ Lightweight and powerful design
- ▶ 100% negative effective hydraulic disc brake system
- ▶ Standard winch guide system and rope stabiliser
- ▶ Manual winch discharge system provided as standard
- ▶ High torque hydromotor



Pneumatic Rope release (optional)

Rope Winding Count	Pulling Capacity lbs	Winding Speed m-min/(ft-min)	Rope Length m/ft
1	16000	10,4/34	6/19
2	12967	11,8/38	12,8/41
3	10893	13,2/43	20,4/66
4	9389	14,6/47	28,7/94
5	8251	15,9/52	40/131

Maximum Pulling Force (kg/lbs)	: 16000 lbs
Maximum Rope Diameter (mm/in)	: 14mm (3/9")
Maximum Rope Length (m/ft)	: 40 m (131 ft)
Hydromotor (cc/in <sup>3</sup> )	: 315 cc (19 in <sup>3</sup> )
Maximum Pump Flow (L/min-gal min)	: 60L (15.8 gal)
Gear Ratio	: 6/1
Maximum Operating Pressure (bar/psi)	: 165 bar (2393 psi)
Recommended Gear Oil Product	: 80w 90 - 0.80L (27 fl oz)
Weight	: 84 kg (185 lbs)