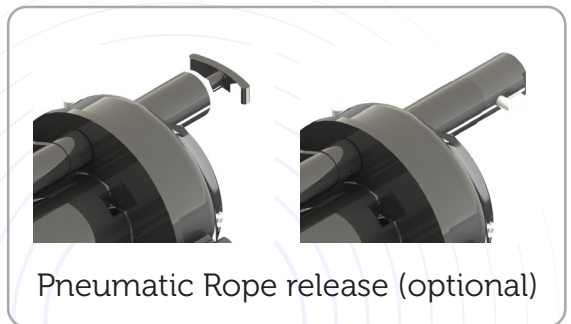
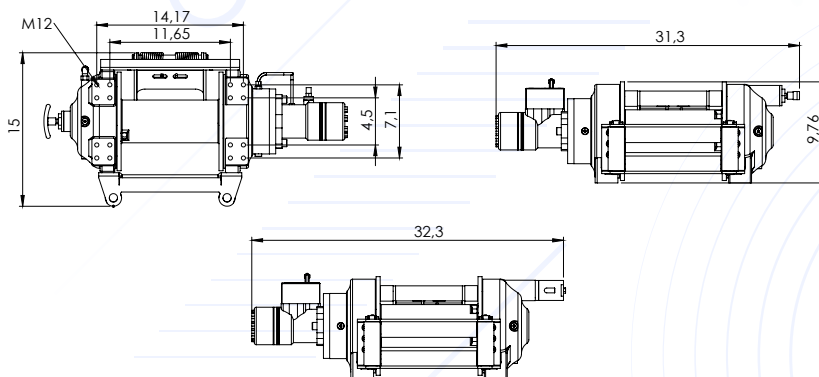
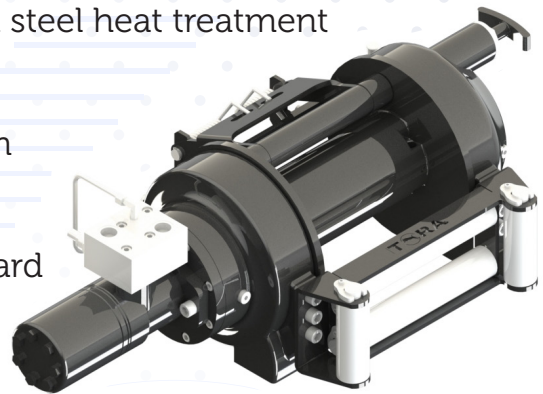


- ▶ High-strength, long-lasting steel body
- ▶ Extra reinforced planetary gear system with special steel heat treatment
- ▶ Lightweight and powerful design
- ▶ 100% negative effective hydraulic disc brake system
- ▶ Standard winch guide system and rope stabiliser
- ▶ Manual winch discharge system provided as standard
- ▶ High torque hydromotor



Rope Winding Count	Pulling Capacity lbs	Winding Speed m-min/(ft-min)	Rope Length m/ft
1	18000	8,4/27	6/19
2	14645	9,5/31	12,8/41
3	12301	10,7/35	20,4/66
4	10604	11,7/38	28,7/94
5	9318	12,8/41	40/131

Maximum Pulling Force (kg/lbs)	: 18000 lbs
Maximum Rope Diameter (mm/in)	: 14mm (3/9'')
Maximum Rope Length (m/ft)	: 40 m (131 ft)
Hydromotor (cc/in ³)	: 400 cc (24 in ³)
Maximum Pump Flow (L/min-g min)	: 60L (15.8 gal)
Gear Ratio	: 6/1
Maximum Operating Pressure (bar/psi)	: 150 bar (2175 psi)
Recommended Gear Oil Product	: 80w 90 - 0.80L (27 fl oz)
Weight	: 85 kg (187 lbs)