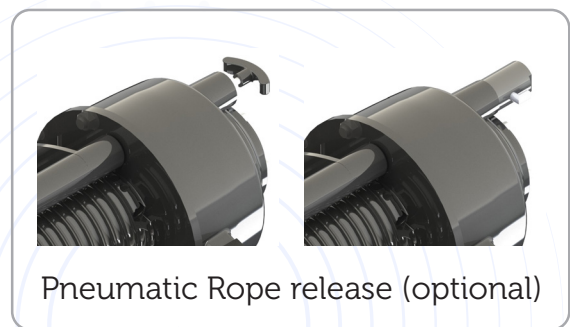
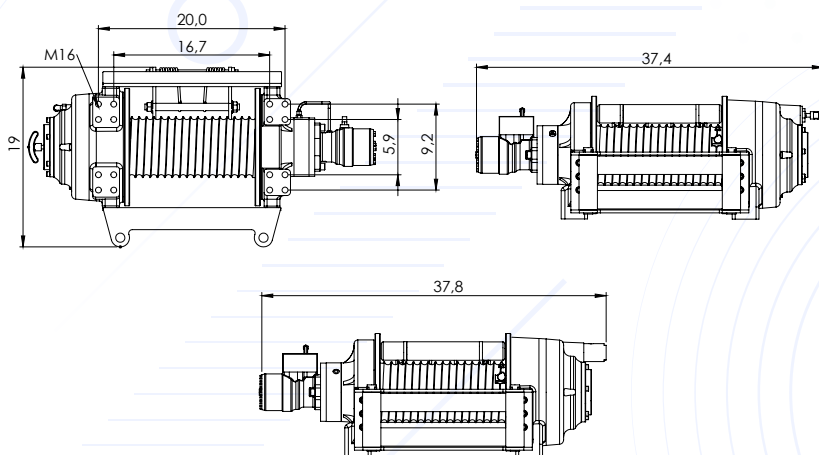
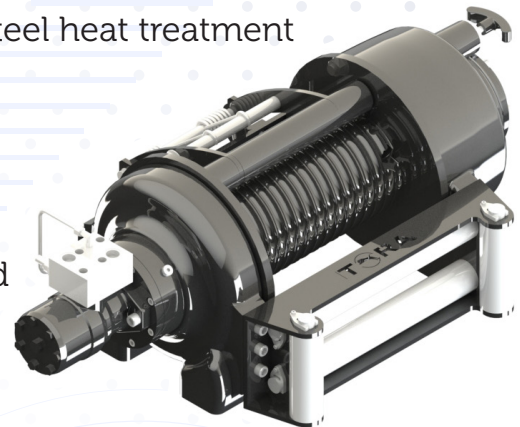


- ▶ High-strength, long-lasting steel body
- ▶ Extra reinforced planetary gear system with special steel heat treatment
- ▶ Lightweight and powerful design
- ▶ 100% negative effective hydraulic disc brake system
- ▶ Standard winch guide system and rope stabiliser
- ▶ Manual winch discharge system provided as standard
- ▶ High torque hydromotor



Rope Winding Count	Pulling Capacity lbs	Winding Speed m-min/(ft-min)	Rope Length m/ft
1	40000	4,3/14	7,5/24
2	32716	4,8/15	17/55
3	27809	5,3/17	28/91
4	14180	5,8/19	42/137

Maximum Pulling Force (kg/lbs)	: 40000 lbs
Maximum Rope Diameter (mm/in)	: 18mm (8/11")
Maximum Rope Length (m/ft)	: 42 m (137 ft)
Hydromotor (cc/in ³)	: 200 cc (12 in ³)
Maximum Pump Flow (L/min-gal)	: 60L (15.8 gal)
Gear Ratio	: 36/1
Maximum Operating Pressure (bar/psi)	: 165 bar (2393 psi)
Recommended Gear Oil Product	: 80w 90 - 2L (67.6 fl oz)
Weight	: 200 kg (441 lbs)