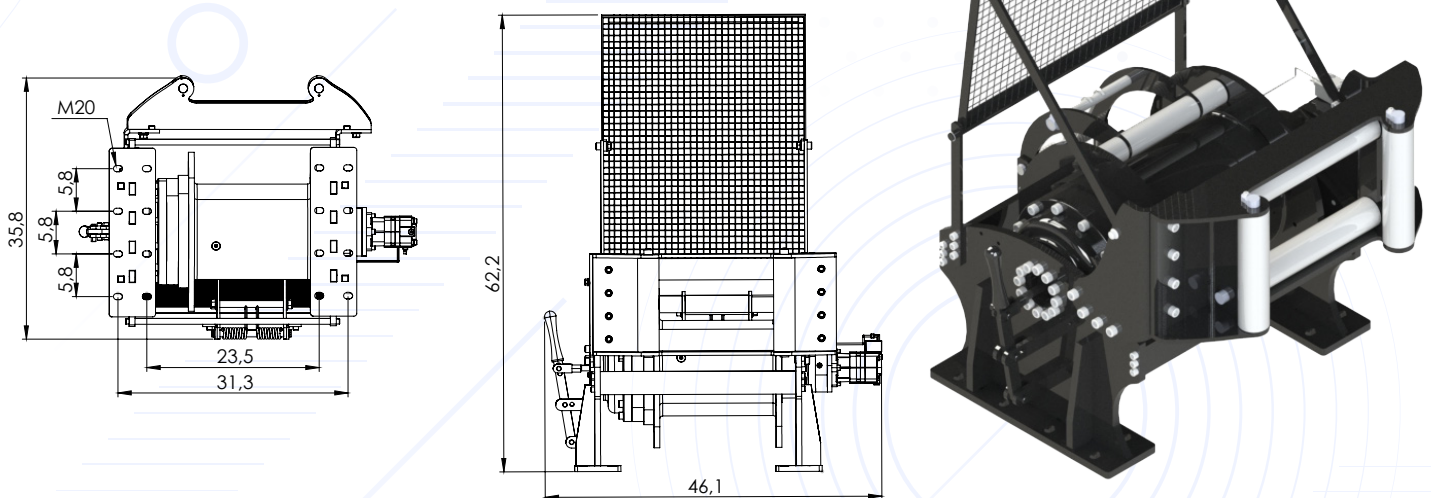


- ▶ High-strength, long-lasting steel body
- ▶ Extra reinforced planetary gear system with special steel heat treatment
- ▶ Lightweight and powerful design
- ▶ 100% negative effective hydraulic disc brake system
- ▶ Standard winch guide system and rope stabiliser
- ▶ Manual winch discharge system provided as standard
- ▶ High torque hydromotor



Rope Winding Count	Pulling Capacity lbs	Winding Speed m-min/(ft-min)	Rope Length m/ft
1	77000	2,6/8	15,5/50
2	67170	2,9/9	32,1/105
3	59167	3,1/10	50,2/166
4	52869	3,4/11	70/229

Maximum Pulling Force (kg/lbs)	: 77000 lbs
Maximum Rope Diameter (mm/in)	: 28mm (10,9")
Maximum Rope Length (m/ft)	: 70 m (229 ft)
Hydromotor (cc/in ³)	: 200 cc (12 in ³)
Maximum Pump Flow (L/min-g min)	: 75L (19.8 gal)
Gear Ratio	: 150/1
Maximum Operating Pressure (bar/psi)	: 155 bar (2248 psi)
Recommended Gear Oil Product	: 80w 90 - 4L (135.2 fl oz)
Weight	: 490 kg (1080 lbs)