



COOLER FAN AC/DC



www.toracompany.com

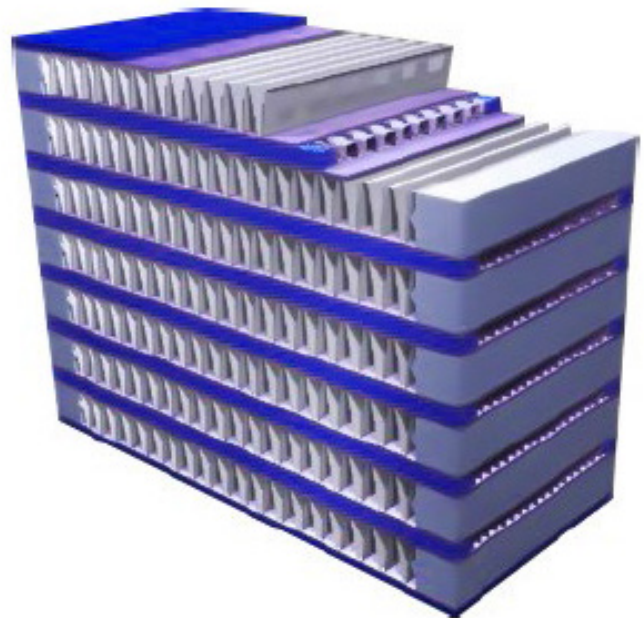
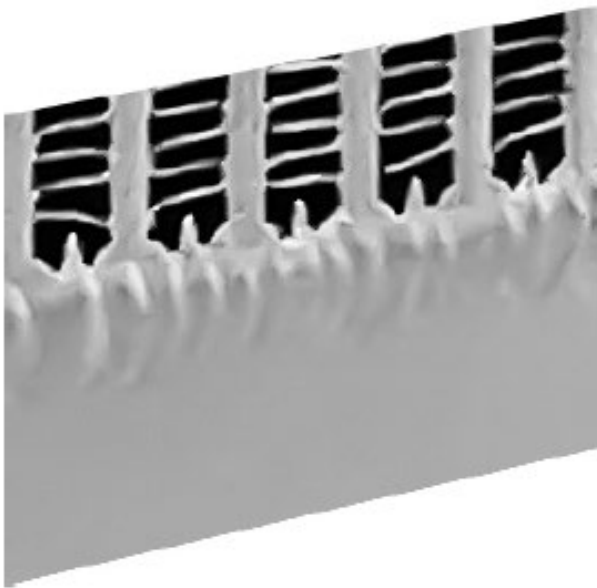
GENERAL INFORMATION

The G Series is our product line used in all industrial systems. The hydraulic cooling products we offer are manufactured according to high quality standards.

From material supply to production and Strict inspection and surveillance is carried out at every stage, from post-production to quality control processes.

Our products;
In mobile systems,
In fixed unit applications,

They are complete cooling systems for AC-DC uses.



FEATURES

- Test Pressure 30 bar.
- Usage Pressure: 25 bar.
- It is used for cooling of Synthetic, Mineral Oils and some liquids.
- The heat in the fluid is cooled with the help of a fan.
- Bar-P late type cooling pad is used.
- Flexible 6063 aluminum material is used.
- It is designed in accordance with all working conditions.
- It is ready to use and easy to maintain. It has high efficiency and low cost.



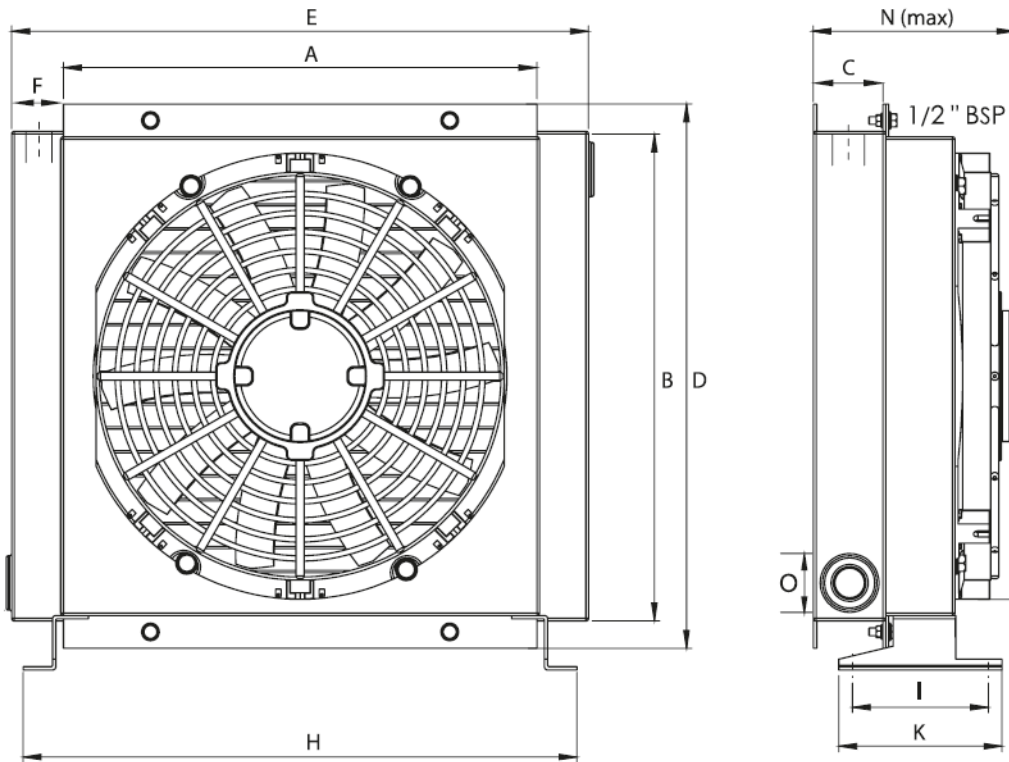
CODE	MAX FLOW (lt/dk)	CAPACITY (kcal/h)
TCF-01	40	2000
TCF-05	80	5500
TCF-10	100	6000
TCF-20	120	12000
TCF-30	140	20000
TCF-40	160	25000
TCF-50	180	40000
TCF-60	220	60000

Code	Fan Diameter	Fan Speed	dB(A) 1M	Voltage (V)	kW	Operating Pressure (Bar)
TCF-01	155-155-160	750-750-700	51-51-50	12-24-230-400	0.04-0.04-0.05	25
TCF-05	195-195-200	2700-2700-2800	72-72-68	12-24-230-400	0.09-0.10-0.06	25
TCF-10	195-195-200	2700-2700-2800	72-72-68	12-24-230-400	0.09-0.10-0.06	25
TCF-20	245-245-250	2700-2700-2800	74-74-72	12-24-230-400	0.11-0.11-0.10	25
TCF-30	290-290-300	2700-2700-2800	74-74-72	12-24-230-400	0.18-0.18-0.19	25
TCF-40	345-345-350	2700-2700-2800	78-78-74	12-24-230-400	0.21-0.21-0.32	25
TCF-50	10"x2-10"x2-630	2700-2700-2800	74-74-89	12-24-230-400	0.15-0.15-0.43	25
TCF-60	14"x2-14"x2-630	2700-2700-2800	74-74-98	12-24-230-400	0.15-0.15-0.43	25

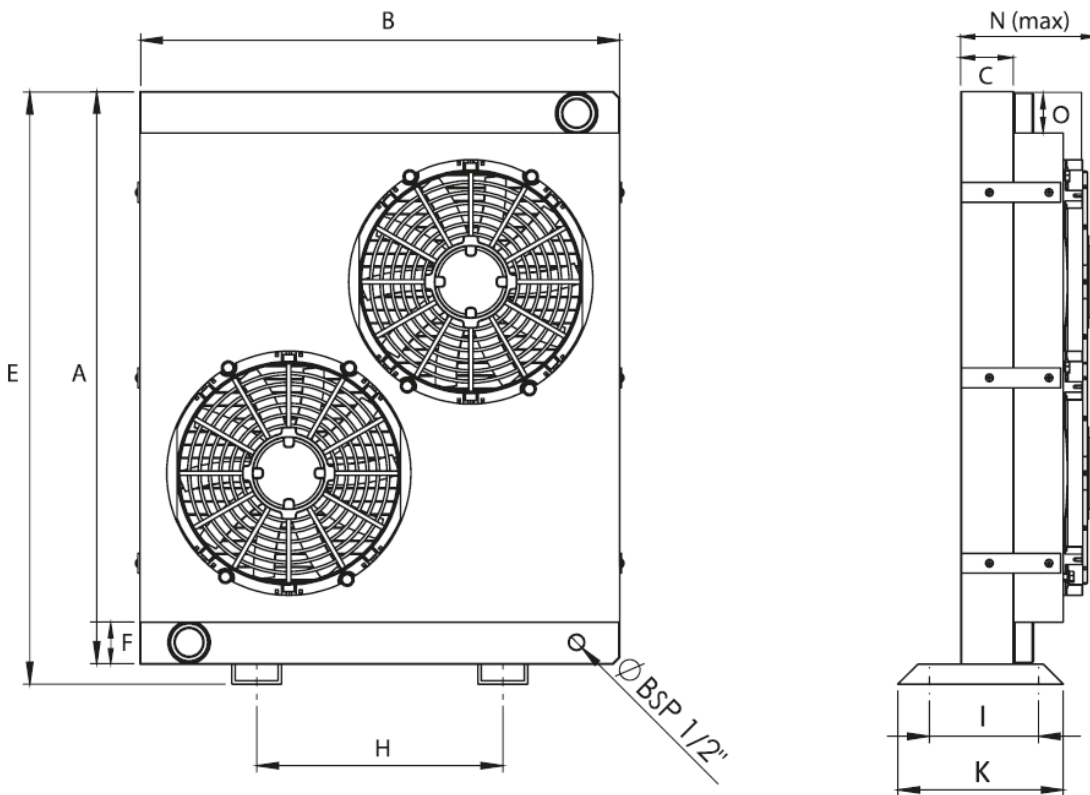
DIMENSIONS

Dimensions	TCF-01	TCF-05	TCF-10	TCF-20	TCF-30	TCF-40	TCF-50	TCF-60
A	190	230	230	300	350	450	545	700
B	170	230	230	300	350	450	545	720
C	45	45	63	63	63	63	63	63
D	220	290	290	360	410	510	-	-
E	280	320	320	400	440	550	670	850
F	45	45	40	40	40	40	63	63
G	-	-	-	-	-	-	-	-
H	225	265	265	330	380	480	245	375
I	125	125	125	125	125	125	155	165
K	155	155	155	155	155	155	200	200
L	-	-	-	-	-	-	-	-
M	-	-	-	-	-	-	-	-
N(max)	12-24-172 230-400-217	12-24-172 230-400-217	12-24-187 230-400-232	12-24-187 230-400-237	187 242	187 257	182 237	197 297
O	1/2" BSP	1/2" BSP	1" BSP	1" BSP	1" BSP	1" BSP	1 1/2" BSP	1 1/2" BSP

BETWEEN TCF-01 / TCF-40 COOLERS DIMENSIONS



BETWEEN TCF-50 / TCF-60 COOLERS DIMENSIONS



TORA LLC



📍 11417 IL 19, Franklin Park, IL 60131
☎️ (630) 785-2410
📞 (331) 688-4947
🌐 www.toracompany.com
✉️ info@toracompany.com



[toracompany](https://www.facebook.com/toracompany)



[tora.company](https://www.instagram.com/tora.company)



www.toracompany.com