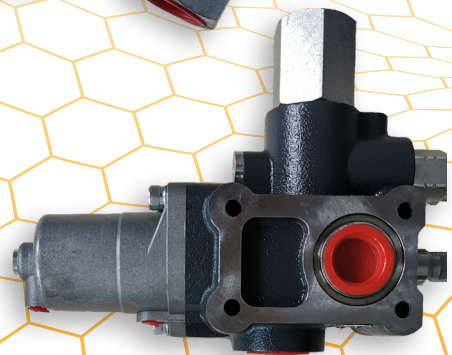
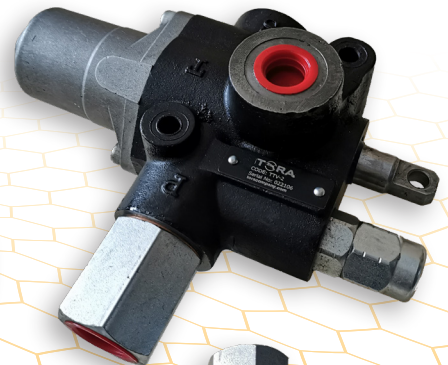
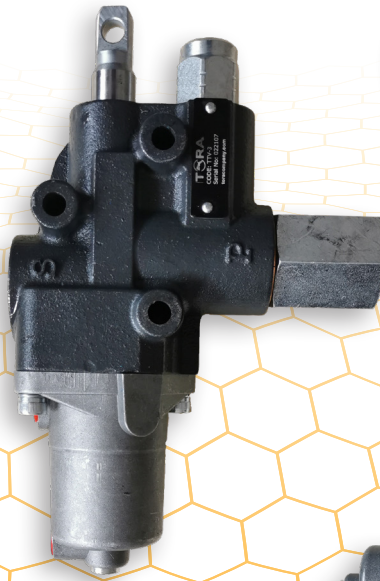
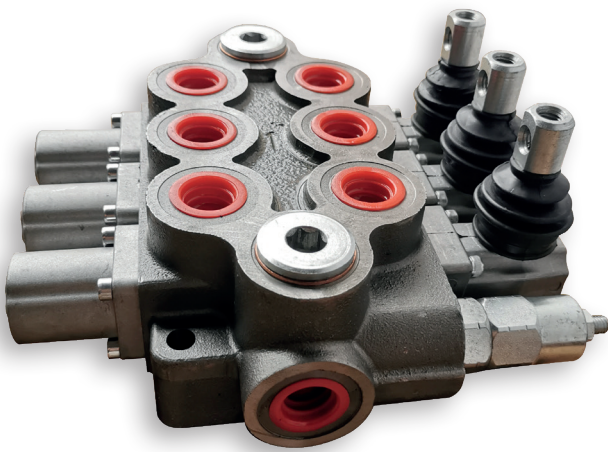




CONTROL VALVES



www.toracompany.com

MONOBLOCK CONTROL VALVES

TM-40 • TM-45 • TMS-45 • TM-70 • TM-80 • TM-100

SECTIONAL CONTROL VALVES

TS-45 • TS-60 • TS-80 • TS-100 • TS-120 • TS-150

DIRECTIONAL CONTROL VALVES

TS-250

TIPPER VALVES

T-DMP • TTV-RS • TTV-2 • TTV-3 • TTV-4

SOLENOID DIRECTIONAL CONTROL VALVES

TSO-6 • TSO-10

TM-40



Nominal Flow rating / Displacement	40 l/min	11 U.S.G.P.M
Max. Working Pressure	250 bar	3600 PSI
Max. Back Pressure	25 bar	360 PSI
Oil Temperature with NBR Seals	-20 to 80 C°	-4 to 180 F°
Oil Temperature with FPM (Viton) Seals	-20 to 100 C°	-4 to 200 F°
Number Of Spools	1	

TM-45



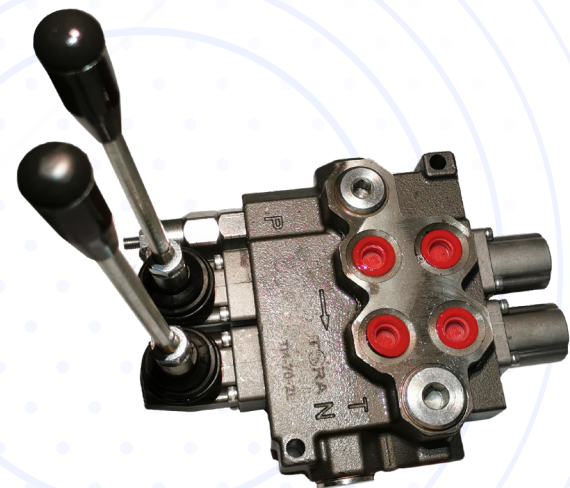
Nominal Flow rating / Displacement	45 l/min	12 U.S.G.P.M
Max. Working Pressure	315 bar	4600 PSI
Max. Back Pressure	25 bar	360 PSI
Oil Temperature with NBR Seals	-20 to 80 C°	-4 to 176 F°
Oil Temperature with FPM (Viton) Seals	-20 to 100 C°	-4 to 212 F°
Number Of Spools	1 to 6	

TMS-45

Nominal Flow rating / Displacement	45 l/min	12 U.S.G.P.M
Max. Working Pressure (Parallel Circuit)	315 bar	4600 PSI
Max. Working Pressure (Series Circuit)	250 bar	3600 PSI
Max. Back Pressure	25 bar	360 PSI
Oil Temperature with NBR Seals	-20 to 80 C°	-4 to 176 F°
Oil Temperature with FPM (Viton) Seals	-20 to 100 C°	-4 to 212 F°
Number Of Spools	1 to 7	


TM-70

Nominal Flow rating / Displacement	70 l/min	18 U.S.G.P.M
Max. Working Pressure (Parallel Circuit)	315 bar	4600 PSI
Max. Working Pressure (Series Circuit)	250 bar	3600 PSI
Max. Back Pressure	25 bar	360 PSI
Oil Temperature with NBR Seals	-20 to 80 C°	-4 to 176 F°
Oil Temperature with FPM (Viton) Seals	-20 to 100 C°	-4 to 212 F°
Number Of Spools	1 to 6	



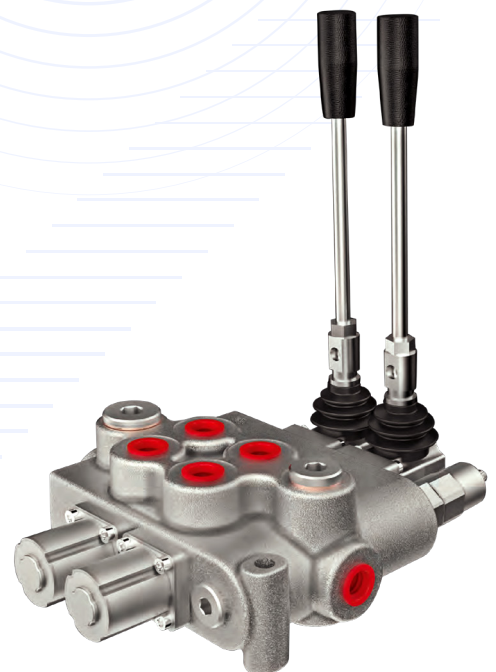
TM-80

Nominal Flow rating / Displacement	80 l/min	21 U.S.G.P.M
Max. Working Pressure	315 bar	4600 PSI
Max. Back Pressure	25 bar	360 PSI
Oil Temperature with NBR Seals	-20 to 80 C°	-4 to 176 F°
Oil Temperature with FPM (Viton) Seals	-20 to 100 C°	-4 to 212 F°
Number Of Spools	1 to 6	



TM-100

Nominal Flow rating / Displacement	100 l/min	26 U.S.G.P.M
Max. Working Pressure (Parallel Circuit)	315 bar	4600 PSI
Max. Working Pressure (Series Circuit)	250 bar	3600 PSI
Max. Back Pressure	25 bar	360 PSI
Oil Temperature with NBR Seals	-20 to 80 C°	-4 to 176 F°
Oil Temperature with FPM (Viton) Seals	-20 to 100 C°	-4 to 212 F°
Number Of Spools	1 to 6	

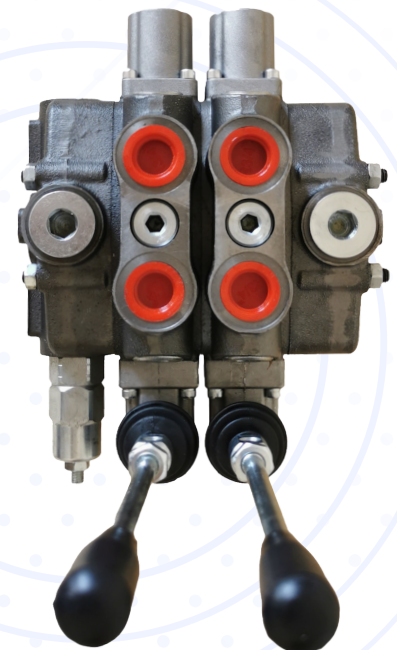


TS-45

Nominal Flow rating / Displacement	45 l/min	12 U.S.G.P.M
Max. Working Pressure (Parallel Circuit)	315 bar	4600 PSI
Max. Working Pressure (Series Circuit)	210 bar	3050 PSI
Max. Back Pressure	25 bar	360 PSI
Oil Temperature with NBR Seals	-20 to 80 C°	-4 to 176 F°
Oil Temperature with FPM (Viton) Seals	-20 to 100 C°	-4 to 212 F°
Number Of Spools	1 to 12	
Tie Rod Tightening Torque	30 Nm	22 lbft

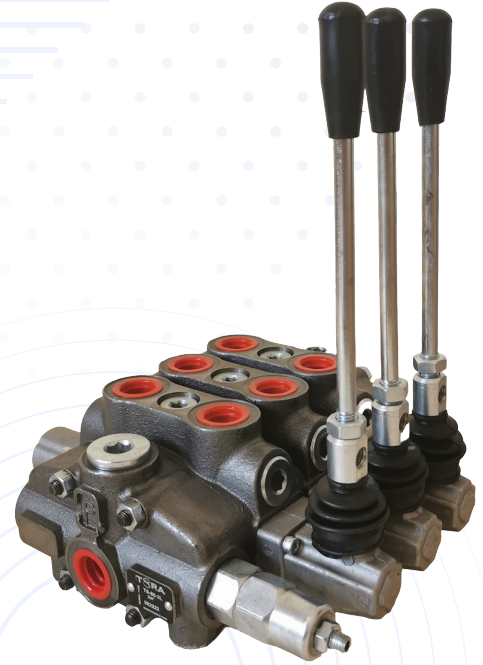

TS-60

Nominal Flow rating / Displacement	60 l/min	16 U.S.G.P.M
Max. Working Pressure (Parallel Circuit)	315 bar	4600 PSI
Max. Working Pressure (Series Circuit)	210 bar	3050 PSI
Max. Back Pressure	25 bar	360 PSI
Oil Temperature with NBR Seals	-20 to 80 C°	-4 to 176 F°
Oil Temperature with FPM (Viton) Seals	-20 to 100 C°	-4 to 212 F°
Number Of Spools	1 to 12	
Tie Rod Tightening Torque	30 Nm	22 lbft



TS-80

Nominal Flow rating / Displacement	80 l/min	21 U.S.G.P.M
Max. Working Pressure (Parallel Circuit)	315 bar	4600 PSI
Max. Working Pressure (Series Circuit)	210 bar	3050 PSI
Max. Back Pressure	25 bar	360 PSI
Oil Temperature with NBR Seals	-20 to 80 C	-4 to 176 F
Oil Temperature with FPM (Viton) Seals	-20 to 100 C	-4 to 212 F
Number Of Spools	1 to 12	
Tie Rod Tightening Torque	30 Nm	22 Ibft


TS-100

Nominal Flow rating / Displacement	100 l/min	26 U.S.G.P.M
Max. Working Pressure (Parallel Circuit)	315 bar	4600 PSI
Max. Working Pressure (Series Circuit)	210 bar	3050 PSI
Max. Back Pressure	25 bar	360 PSI
Oil Temperature with NBR Seals	-20 to 80 C°	-4 to 176 F°
Oil Temperature with FPM (Viton) Seals	-20 to 100 C°	-4 to 212 F°
Number Of Spools	1 to 12	
Tie Rod Tightening Torque	40 Nm	30 Ibft

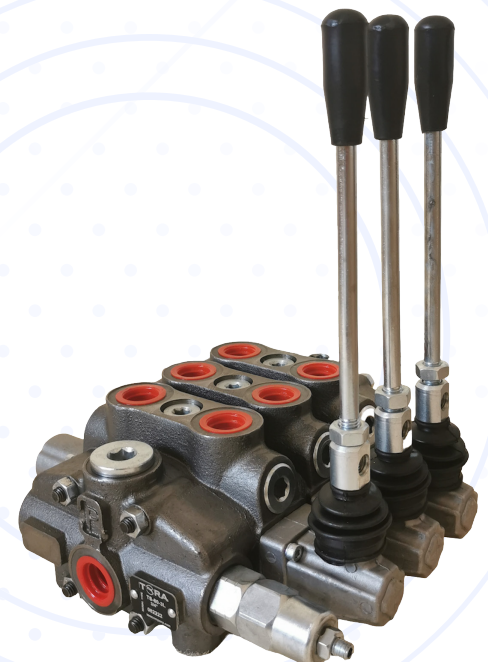


TS-120

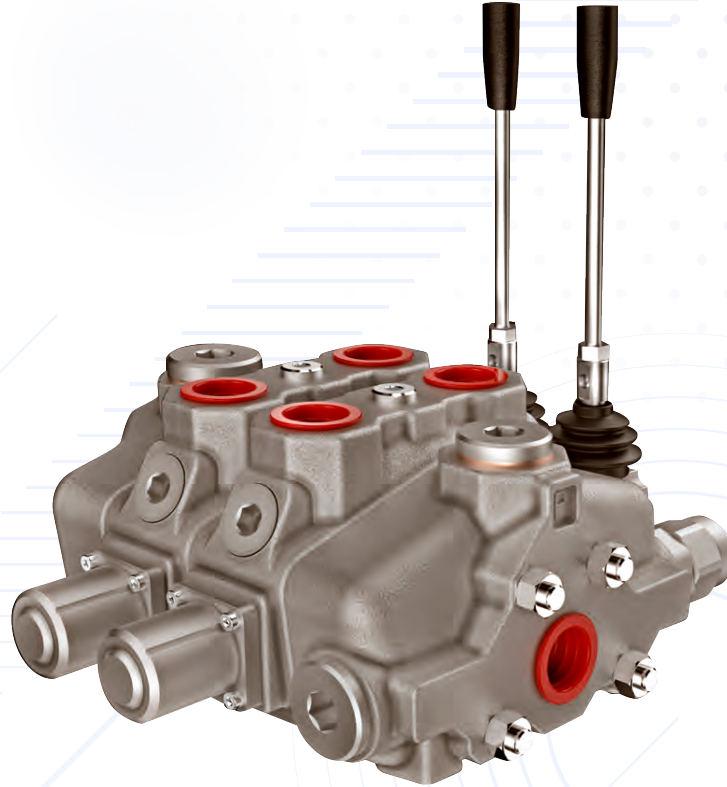
Nominal Flow rating / Displacement	120 l/min	31 U.S.G.P.M
Max. Working Pressure (Parallel Circuit)	315 bar	4600 PSI
Max. Working Pressure (Series Circuit)	210 bar	3050 PSI
Max. Back Pressure	25 bar	360 PSI
Oil Temperature with NBR Seals	-20 to 80 C°	-4 to 176 F°
Oil Temperature with FPM (Viton) Seals	-20 to 100 C°	-4 to 212 F°
Number Of Spools	1 to 12	
Tie Rod Tightening Torque	40 Nm	30 lbft


TS-150

Nominal Flow rating / Displacement	150 l/min	38 U.S.G.P.M
Max. Working Pressure (Parallel Circuit)	315 bar	4600 PSI
Max. Working Pressure (Series Circuit)	210 bar	3050 PSI
Max. Back Pressure	25 bar	360 PSI
Oil Temperature with NBR Seals	-20 to 80 C°	-4 to 176 F°
Oil Temperature with FPM (Viton) Seals	-20 to 100 C°	-4 to 212 F°
Number Of Spools	1 to 12	
Tie Rod Tightening Torque	40 Nm	30 lbft

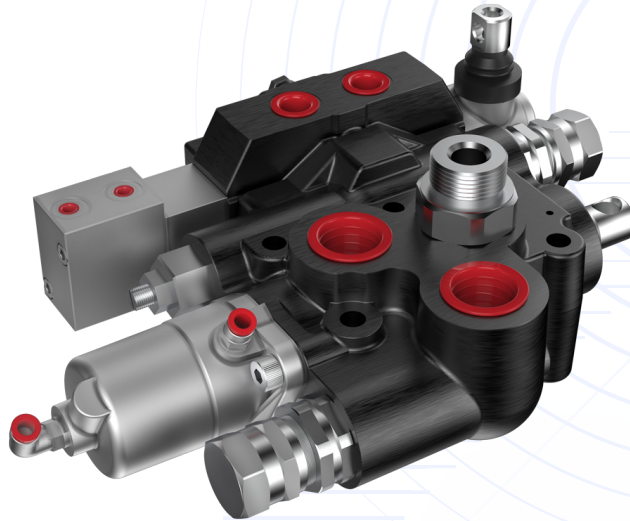


TS-250



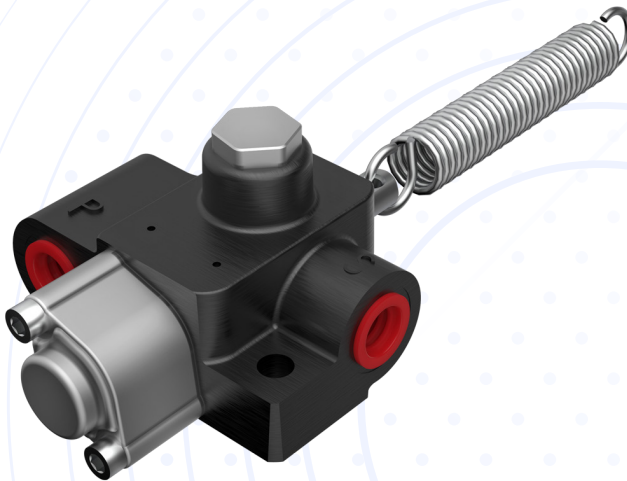
Nominal Flow rating / Displacement	240 l/min	63 U.S.G.P.M
Max. Working Pressure (Parallel Circuit)	315 bar	4600 PSI
Max. Working Pressure (Series Circuit)	210 bar	3050 PSI
Max. Back Pressure	25 bar	360 PSI
Oil Temperature with NBR Seals	-20 to 80 C°	-4 to 176 F°
Oil Temperature with FPM (Viton) Seals	-20 to 100 C°	-4 to 212 F°
Number Of Spools	1 to 12	
Tie Rod Tightening Torgue	40 Nm	30 Ibft

T-DMP



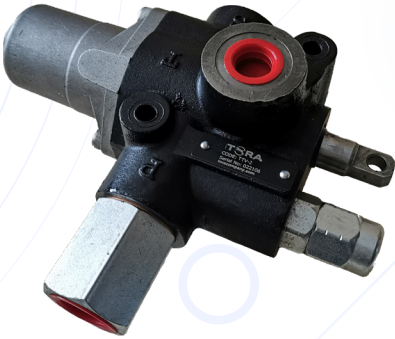
Nominal Flow Displacement Main Auxiliary Section	150 l/min	38 U.S.G.P.M
Pilot Pressure	6-12 Bar	90-180 PSI
Tank Pressure	30 Bar	450 PSI
Maximum Operating Pressure	250 Bar	4600 PSI
Maximum Peak Pressure	300 Bar	4400 PSI
Oil Temperature with NBR Seals	-20 to 80 C°	-4 to 176 F°
Ambiant Temperature Range	-35 to 80 C°	-31 to 140 F°

TTV-RS



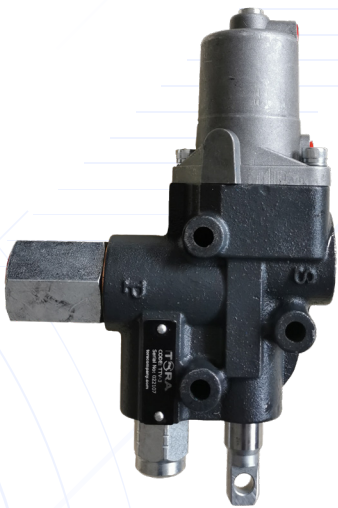
Nominal Flow Displacement Totally	80 l/min	21 U.S.G.P.M
Maximum Operating Pressure	300 Bar	4400 PSI
Oil Temperature with NBR Seals	-20 to 80 C°	-4 to 176 F°
Oil Temperature with FPM (Viton) Seals	-20 to 100 C°	-4 to 212 F°
Ambiant Temperature Range	-35 to 60 C°	-31 to 140 F°

TTV-2



Nominal Flow Displacement Main Auxiliary Section	110 l/min	29 U.S.G.M
Pilot Pressure	6-12 Bar	90-180 PSI
Tank Pressure	30 Bar	450 PSI
Maximum Operating Pressure	190 Bar	2800 PSI
Maximum Peak Pressure	250 Bar	4600 PSI
Oil Temperature with NBR Seals	-20 to 80 C°	-4 to 176 F°
Ambiant Temperature Range	-35 to 80 C°	-31 to 140 F°

TTV-3



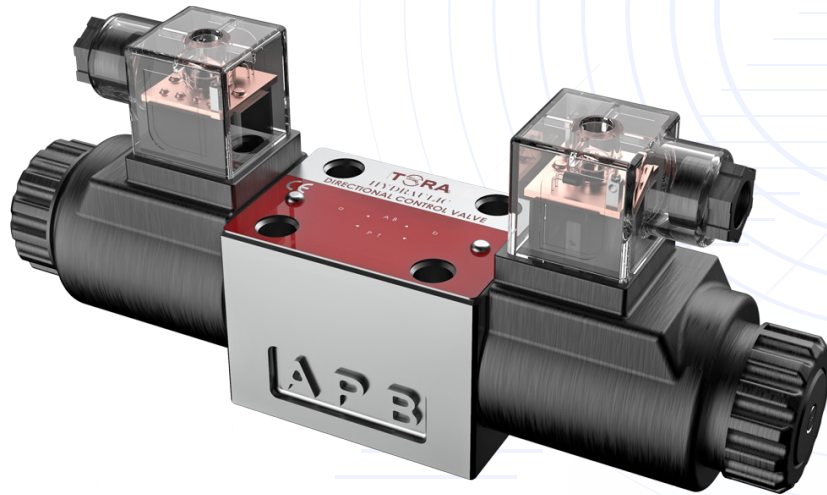
Nominal Flow Displacement Main Auxiliary Section	110 l/min	29 U.S.G.M
Pilot Pressure	6-12 Bar	90-180 PSI
Tank Pressure	30 Bar	450 PSI
Maximum Operating Pressure	190 Bar	2800 PSI
Maximum Peak Pressure	250 Bar	4600 PSI
Oil Temperature with NBR Seals	-20 to 80 C°	-4 to 176 F°
Ambiant Temperature Range	-35 to 80 C°	-31 to 140 F°

TTV-4

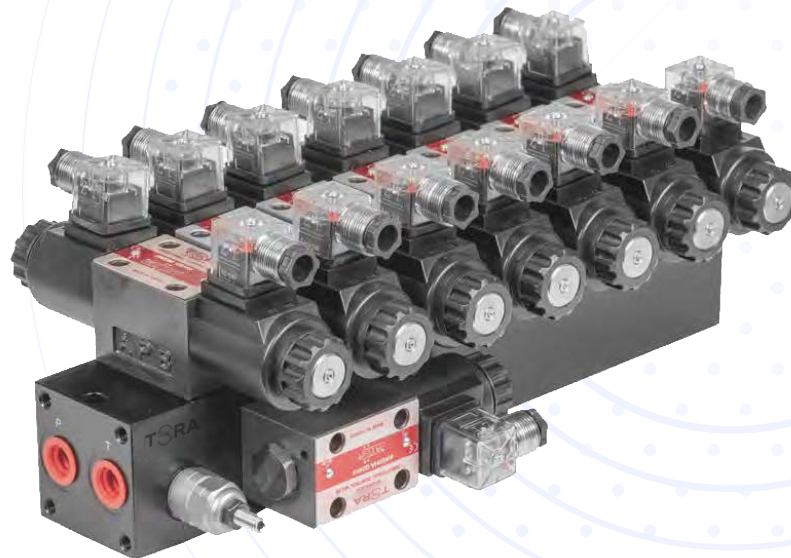


Nominal Flow Displacement Main Auxiliary Section	140 l/dk	37 U.S.G.P. M
Pilot Pressure	6-12 Bar	90-180 PSI
Tank Pressure	30 Bar	450 PSI
Maximum Operating Pressure	190 Bar	2800 PSI
Maximum Peak Pressure	250 Bar	3600 PSI
Oil Temperature with NBR Seals	-20 to 80 C°	-4 to 176 F°
Ambiant Temperature Range	-35 to 80 C°	-31 to 140 F°

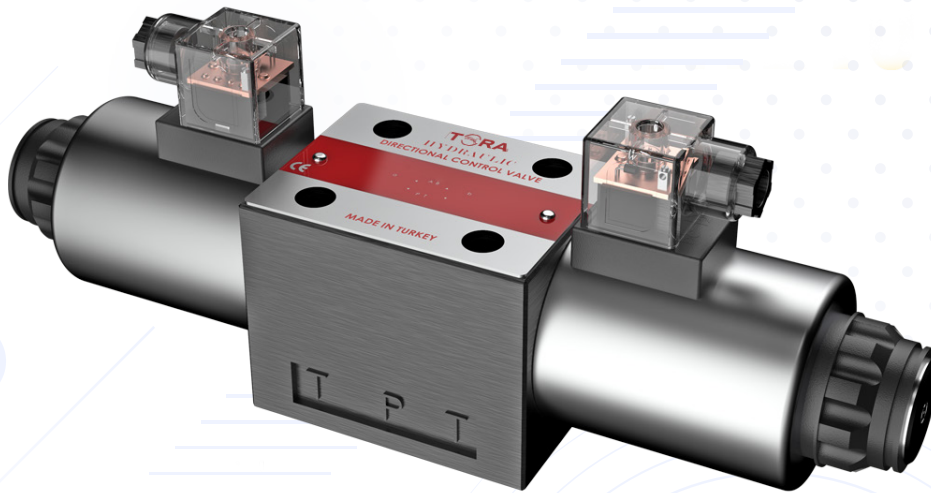
TSO-6



Nominal Flow Rating / Displacement	80 l/dk	21 U.S.G.P. M
Maximum Working Pressure	315 Bar	4600 PSI
Max. Back Pressure	160 Bar	2300 PSI
Oil Temperature with NBR Seals	-15 to 70 C°	-4 to 176 F°
Oil Temperature with FPM (Viton) Seals	-20 to 100 C°	-4 to 212 F°
Max. Voltage Variation	±10	
Ambiant Temperature Range	-15 to 60 C°	-31 to 140 F°
Weight Single Solenoid / Double Solenoid	1,56 Kg/3,44 Ib	2,05 Kg/4,52 Ib



TSO-10



Nominal Flow Rating / Displacement - AC Voltage	120 l/dk	31 U.S.G.P. M
Nominal Flow Rating / Displacement - DC Voltage	150 l/dk	38 U.S.G.P. M
Maximum Working Pressure	315 Bar	4600 PSI
Max. Back Pressure	160 Bar	2300 PSI
Oil Temperature with NBR Seals	-15 to 70 C°	-4 to 176 F°
Oil Temperature with FPM (Viton) Seals	-20 to 100 C°	-4 to 212 F°
Max. Voltage Variation	±10	
Ambiant Temperature Range	-15 to 60 C°	-31 to 140 F°
Weight Single Solenoid / Double Solenoid	4,64 Kg/10,23 Ib	6,14 Kg/13,53 Ib



TORA LLC



📍 11417 IL 19, Franklin Park, IL 60131
☎️ (630) 785-2410
📞 (331) 688-4947
🌐 www.toracompany.com
✉️ info@toracompany.com



[toracompany](https://www.facebook.com/toracompany)



[tora.company](https://www.instagram.com/tora.company)



www.toracompany.com