



# ALLISON

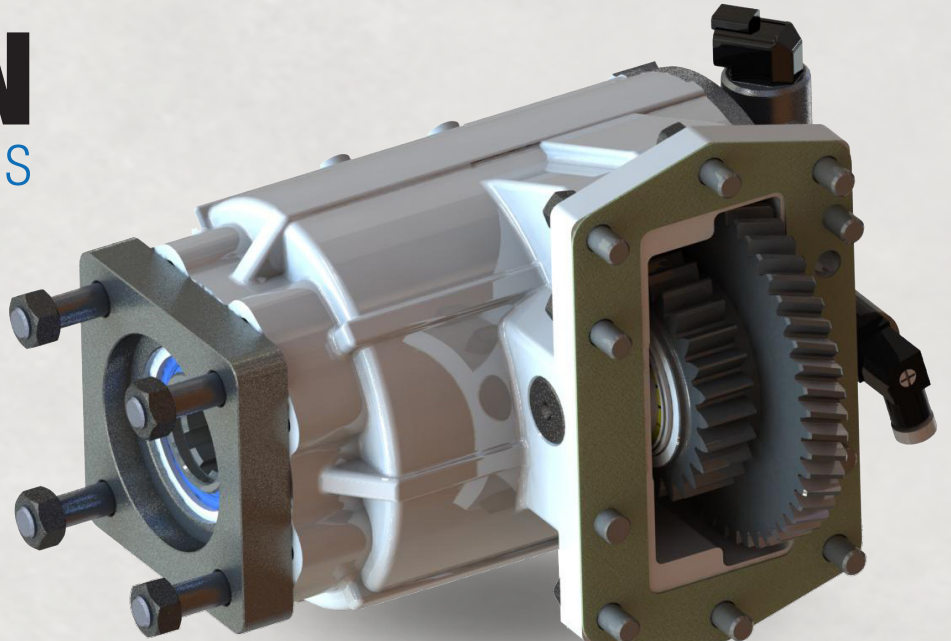
## ALS 10A SERIES

### APPLICATIONS

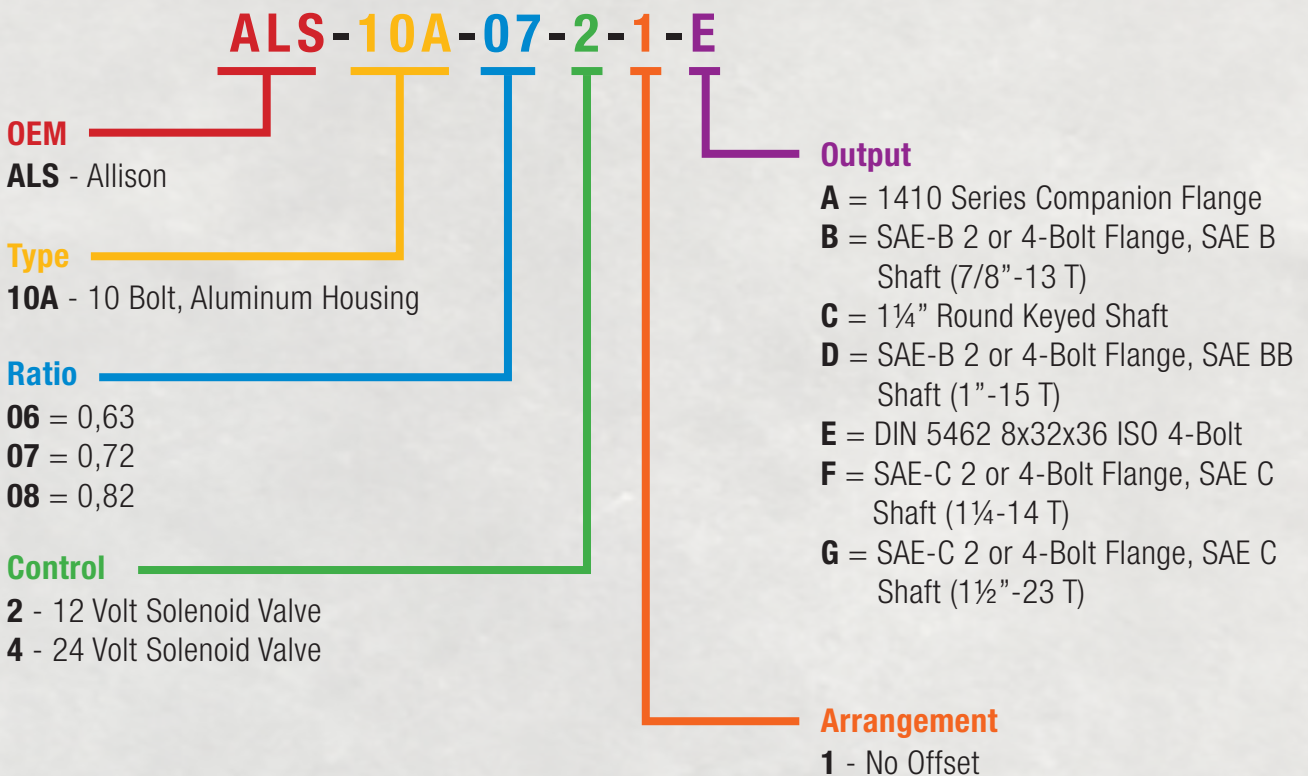
FIRE & RESCUE  
 PUMPER CLEANER  
 TRUCK CRANES  
 REFUSE

### TRANSMISSION CODE

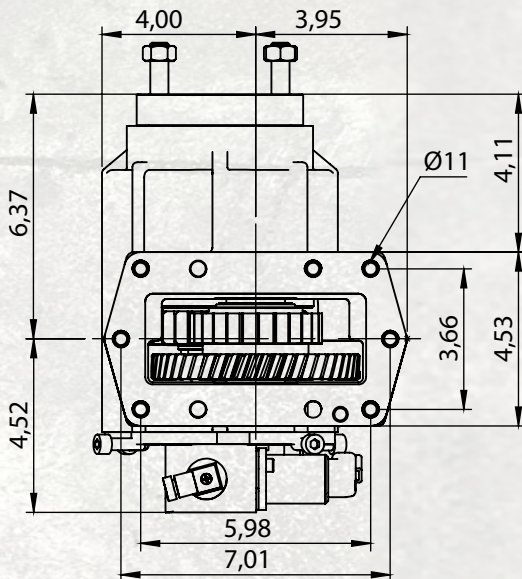
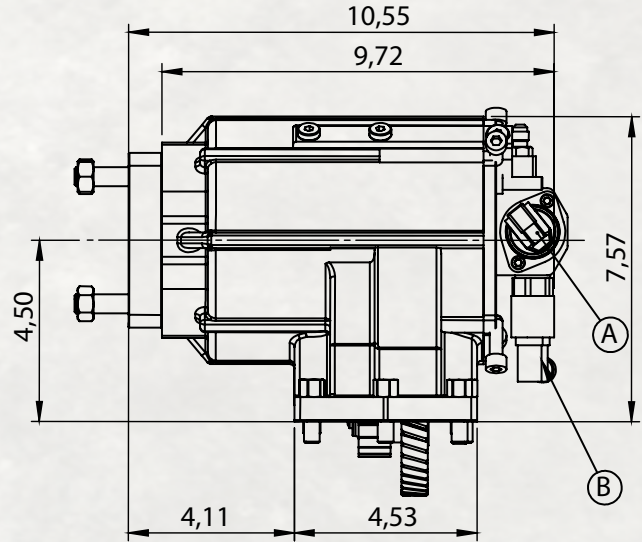
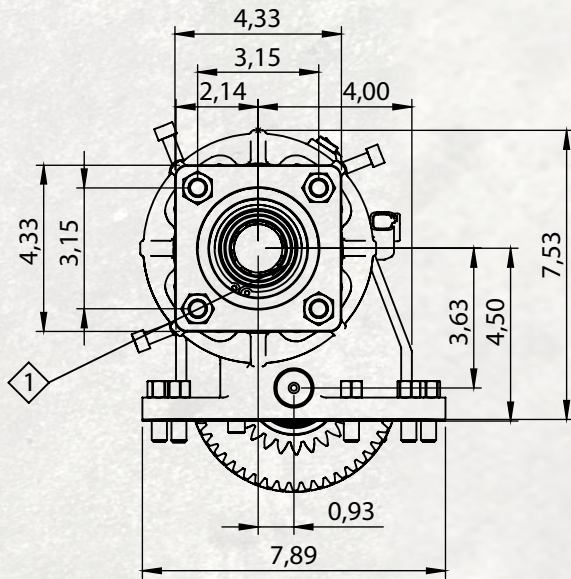
MD 3000 / 3060 / 3070  
 3560 / 3066 / 3566  
 HD 4060 4070 / 4076 /4560



### ALS 10A SERIES PTO MODEL NUMBER DESIGNATOR & SPECIFICATIONS



## ALS-10A SERIES TECHNICAL DETAILS

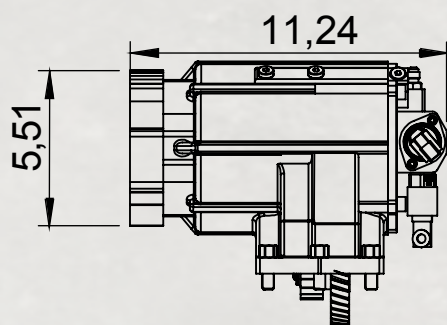


1	DIN 5462 8x32x36 ISO 4-Bolt
A	Solenoid Valve
B	Pressure Sensor

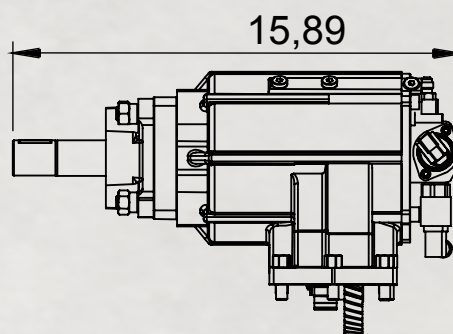
Max Working RPM : 2000
Optimum Working Temp. : 25-80°C
Short-term Working Temp. : 80-90°C
Risking Working Temp. : Over 90°C
Body Material : US A-360
Weight : 40-50 lbs
<i>*Varies Depending on Output Type*</i>



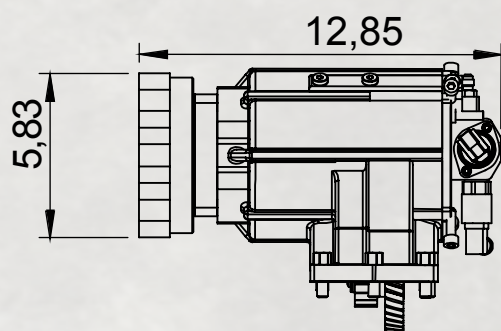
## OUTPUT OPTIONS



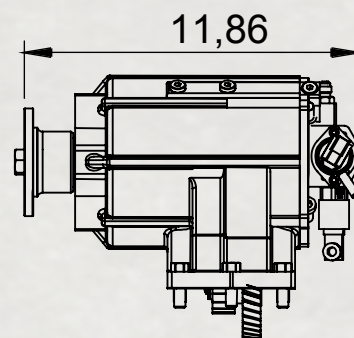
**B-D Type Output**  
SAE-B & SAE-BB  
2 or 4-Bolt Flange



**C Type Output**  
1¼" Round Keyed Shaft



**F-G Type Output**  
SAE-C & SAE-CC  
2 or 4-Bolt Flange



**A Type Output**  
1410 Companion Flange

	ALS-10A*06	ALS-10A*07	ALS-10A*08
Con. Torque Rating (lb-ft)	390	360	340
Power @ 1000RPM (HP)	74	69	65

## ACCESSORIES

### Transmission Mounting Parts

	Code	Qty
1	T08-001	8
2	T07-057	8

### Transmission Gasket

	Code	Qty
3	T04-074	1
4	D13-032	2
5	D13-033	2

### Valve

Option

	Code	Qty
6	T12-044	1
7	T12-044-1	

### Sensor and Connector

	Code	Qty
8	T12-038	1
9	T12-039	1

### Mounting Parts

	Code	Qty
10	T14-024	1
11	T14-035	1
12	T13-117	1
13	T13-073	1
14	T13-062	1
15	T13-059	1

### Hose

	Code	Qty		Code	Qty
16	HRT-103	1	20	T13-069	1
17	T07-087	4	21	T13-069-1	1
18	T07-088	2	22	T13-069-2	1
19	T06-325	2			

No	Code	Description	No	Code	Description
1	T08-001	M10 REINFORCED NUT 8*8	12	T13-117	R7/16" UNF - R7/16" UNF ELBOW FITTING WITH NUT ON ONE SIDE
2	T07-057	M10X40 STUD	13	T13-073	R1/8"-28 - 7/16"-20 MALE NIPPLE
3	T04-074	ALS 3060 ALM. PTO FACE SEAL	14	T13-062	7/16-20 UNF - 7/16-20 UNF FITTING
4	D13-032	Ø11x25 CENTERING PIN	15	T13-059	R 1/8-28 - 7/16-20 UNF CONVERTER ELBOW
5	D13-033	M10x25 THREADED PIN	16	HRT-103	7/16" - 7/16" 80cm hydraulic 3/16" hose (ALS.3060)
6	T12-044	ALLISON SOLENOID VALVE 12V (SV90-G39S0-G-24ER-Z-T)	17	T07-087	M14x60 STUD
7	T12-044-1	ALLISON SOLENOID VALVE 24V (SV90-G39S0-G-24ER-Z-T)	18	T07-088	M16xSTUD
8	T12-038	ALLISON SEND CONNECTOR (COIL SOCKET)	19	T06-325	1/2" UNC L:35MM AKB BOLT
9	T12-039	Sender Connector (OIL SENDER SOCKET)	20	T13-069	3/4"x14 THREAD UNF - 1/8"x28 THREAD CONVERTER NIPPLE
10	T14-024	R1/8 IMBUS DIN PLUG	21	T13-069-1	1/2"x16 THREAD UNF - 1/8"x28 THREAD CONVERTER NIPPLE
11	T14-035	7/16-20 UNF CORE PLUG	22	T13-069-2	1"x12 THREAD UNF - 1/8"x28 THREAD CONVERTER NIPPLE

[www.toracompany.com](http://www.toracompany.com)  
[www.kmspowertakeoff.com](http://www.kmspowertakeoff.com)  
[info@toracompany.com](mailto:info@toracompany.com)  
 11417 IL 19, Franklin Park, IL 60131  
 (630) 785-2410  
 (331) 688-4947

toracompany  
  
 tora.company

