



ALLISON

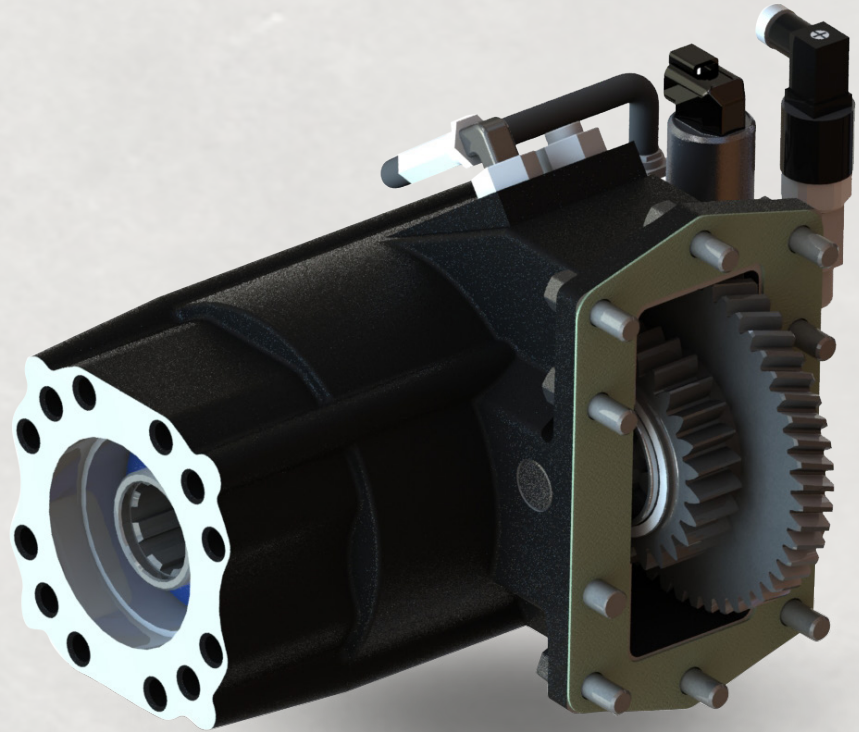
ALS 10B SERIES

APPLICATIONS

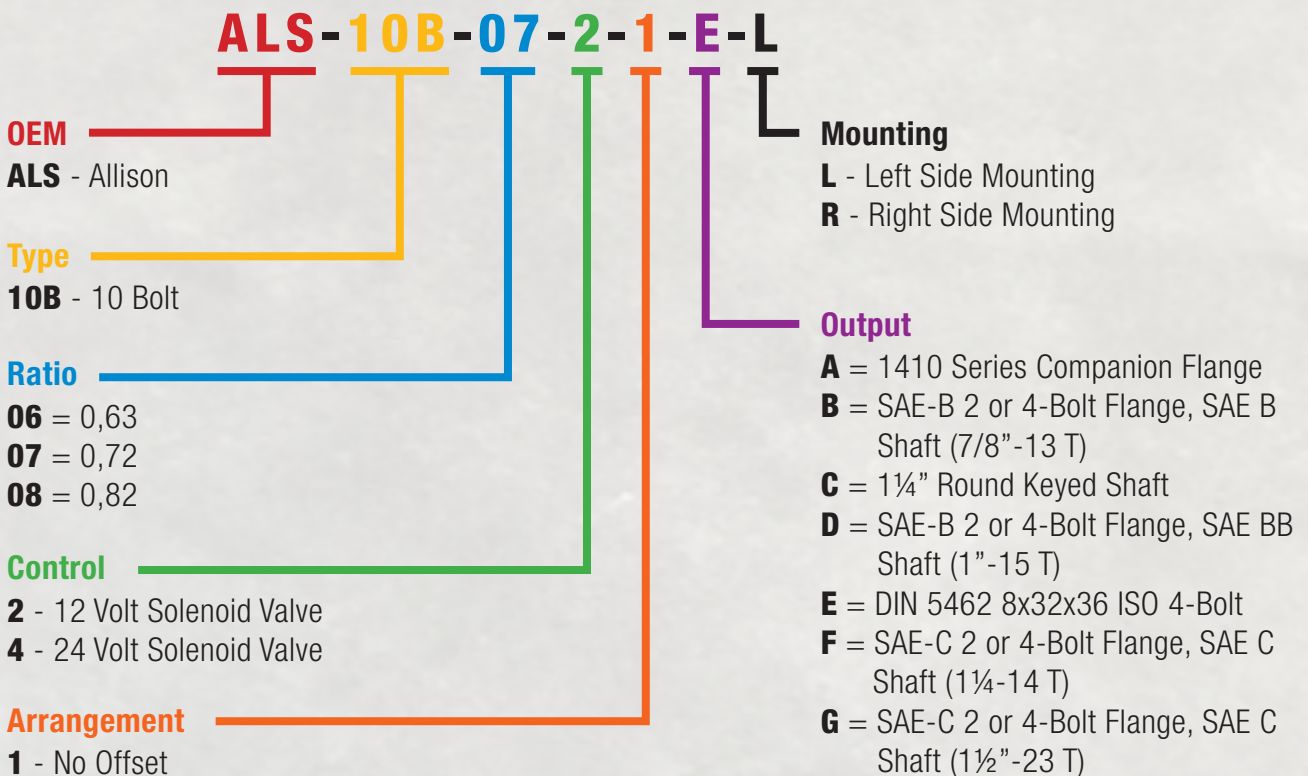
FIRE & RESCUE
 PUMPER CLEANER
 TRUCK CRANES
 REFUSE

TRANSMISSION CODE

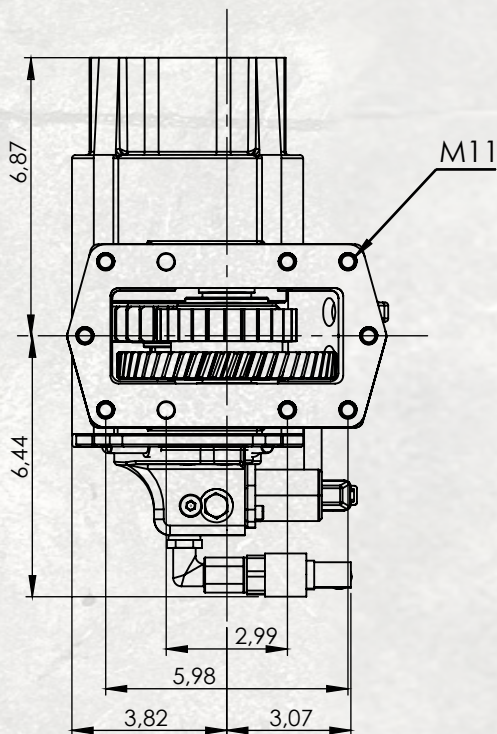
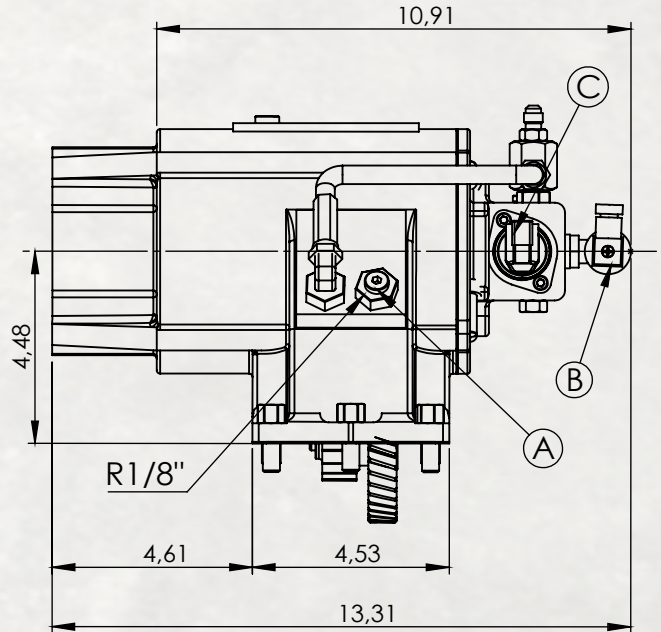
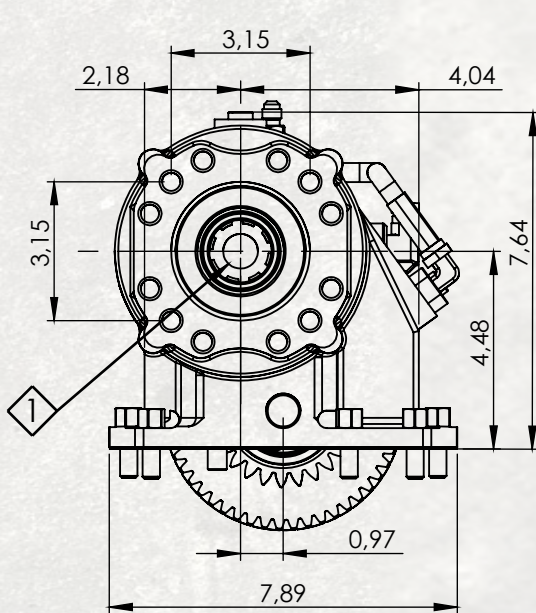
MD 3000 / 3060 / 3070
 3560 / 3066 / 3566
 HD 4060 4070 / 4076 /4560



ALS 10B SERIES PTO MODEL NUMBER DESIGNATOR & SPECIFICATIONS



ALS-10B SERIES TECHNICAL DETAILS

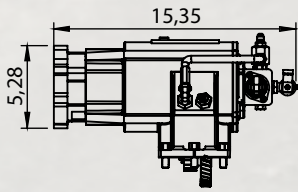


①	DIN 5462 8x32x36 ISO 4-Bolt
(A)	Gear Backlash Control Plug
(B)	Pressure Sensor
(C)	Solenoid Valve

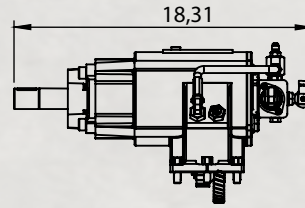
Max Working RPM : 2000
Optimum Working Temp. : 25-80°C
Short-term Working Temp. : 80-90°C
Risking Working Temp. : Over 90°C
Body Material : US 65-42-42
Weight : 65-78 lbs
<i>*Varies Depending on Output Type*</i>



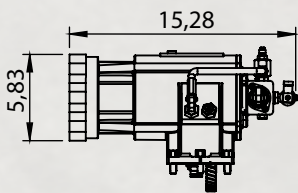
OUTPUT OPTIONS



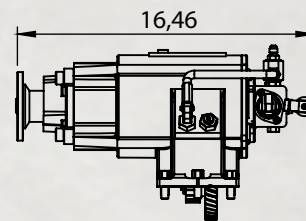
B-D Type Output
SAE-B & SAE-BB
2 or 4-Bolt Flange



C Type Output
1¼" Round Keyed Shaft

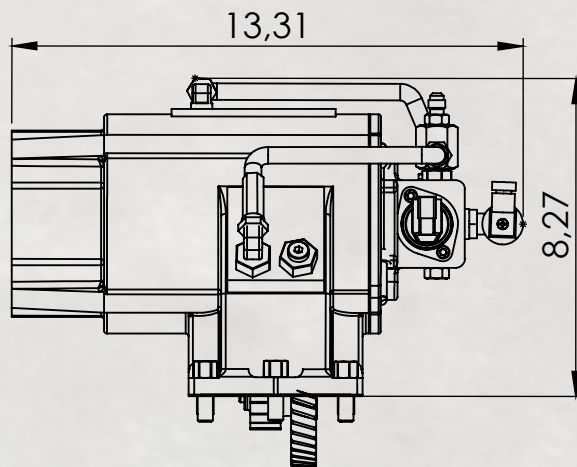


F-G Type Output
SAE-C & SAE-CC
2 or 4-Bolt Flange

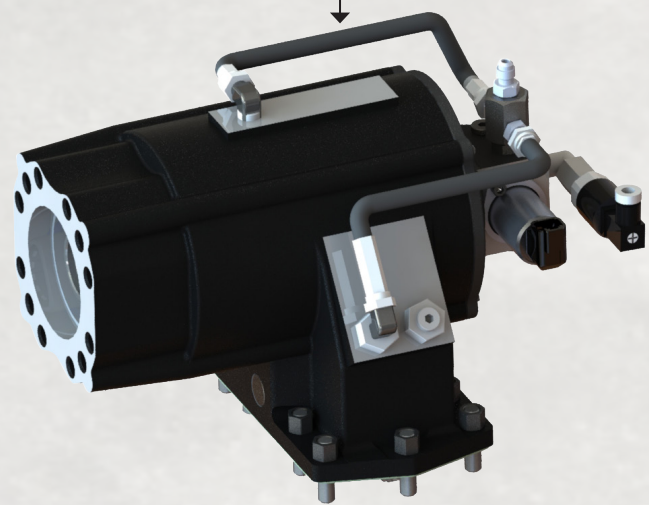


A Type Output
1410 Companion Flange

R TYPE MOUNTING

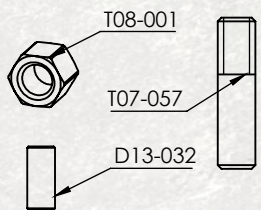
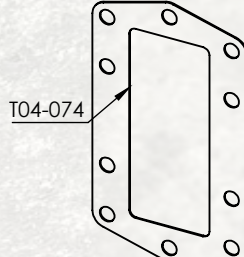
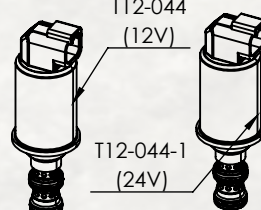
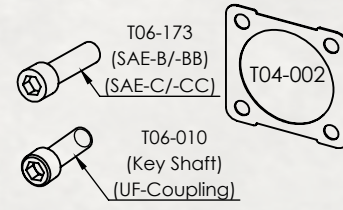
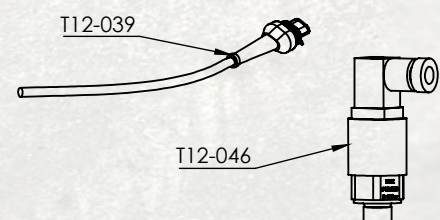
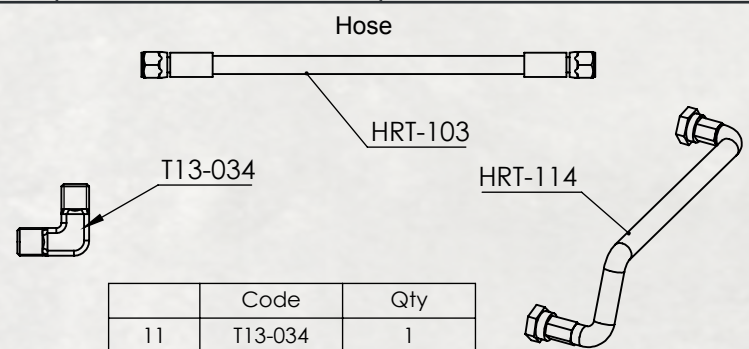


Additional Lub. Hose for Top Mounting Only



	ALS-10B*06	ALS-10B*07	ALS-10B*08
Con. Torque Rating (lb-ft)	390	360	340
Power @ 1000RPM (HP)	74	69	65

ACCESSORIES

<p style="text-align: center;">Transmission Mounting Parts</p>  <table border="1" style="width: 100%; border-collapse: collapse; margin-top: 10px;"> <thead> <tr> <th></th> <th>Code</th> <th>Qty</th> </tr> </thead> <tbody> <tr> <td>1</td> <td>T08-001</td> <td>8</td> </tr> <tr> <td>2</td> <td>T07-057</td> <td>8</td> </tr> <tr> <td>3</td> <td>D13-032</td> <td>2</td> </tr> </tbody> </table>		Code	Qty	1	T08-001	8	2	T07-057	8	3	D13-032	2	<p style="text-align: center;">Transmission Gasket</p>  <table border="1" style="width: 100%; border-collapse: collapse; margin-top: 10px;"> <thead> <tr> <th></th> <th>Code</th> <th>Qty</th> </tr> </thead> <tbody> <tr> <td>4</td> <td>T04-074</td> <td>1</td> </tr> </tbody> </table>		Code	Qty	4	T04-074	1	<p style="text-align: center;">Valve</p>  <p style="text-align: center;">Option</p> <table border="1" style="width: 100%; border-collapse: collapse; margin-top: 10px;"> <thead> <tr> <th></th> <th>Code</th> <th>Qty</th> </tr> </thead> <tbody> <tr> <td>5</td> <td>T12-044</td> <td>1</td> </tr> <tr> <td>6T</td> <td>12-044-1</td> <td></td> </tr> </tbody> </table>		Code	Qty	5	T12-044	1	6T	12-044-1		<p style="text-align: center;">ISO Output Mounting Parts</p>  <table border="1" style="width: 100%; border-collapse: collapse; margin-top: 10px;"> <thead> <tr> <th></th> <th>Code</th> <th>Qty</th> </tr> </thead> <tbody> <tr> <td>7</td> <td>T04-002</td> <td>1</td> </tr> <tr> <td>8</td> <td>T06-173</td> <td>4</td> </tr> <tr> <td>9</td> <td>T06-010</td> <td>4</td> </tr> </tbody> </table>		Code	Qty	7	T04-002	1	8	T06-173	4	9	T06-010	4
	Code	Qty																																								
1	T08-001	8																																								
2	T07-057	8																																								
3	D13-032	2																																								
	Code	Qty																																								
4	T04-074	1																																								
	Code	Qty																																								
5	T12-044	1																																								
6T	12-044-1																																									
	Code	Qty																																								
7	T04-002	1																																								
8	T06-173	4																																								
9	T06-010	4																																								
<p style="text-align: center;">Sensor and Connector</p>  <table border="1" style="width: 100%; border-collapse: collapse; margin-top: 10px;"> <thead> <tr> <th></th> <th>Code</th> <th>Qty</th> </tr> </thead> <tbody> <tr> <td>10</td> <td>T12-039</td> <td>1</td> </tr> <tr> <td>11</td> <td>T12-046</td> <td>1</td> </tr> </tbody> </table>		Code	Qty	10	T12-039	1	11	T12-046	1	<p style="text-align: center;">Hose</p>  <table border="1" style="width: 100%; border-collapse: collapse; margin-top: 10px;"> <thead> <tr> <th></th> <th>Code</th> <th>Qty</th> </tr> </thead> <tbody> <tr> <td>11</td> <td>T13-034</td> <td>1</td> </tr> <tr> <td>12</td> <td>HRT-103</td> <td>1</td> </tr> <tr> <td>13</td> <td>HRT-114</td> <td>1</td> </tr> </tbody> </table>		Code	Qty	11	T13-034	1	12	HRT-103	1	13	HRT-114	1																				
	Code	Qty																																								
10	T12-039	1																																								
11	T12-046	1																																								
	Code	Qty																																								
11	T13-034	1																																								
12	HRT-103	1																																								
13	HRT-114	1																																								

No	Code	Description	No	Code	Description
1	T08-001	M10 REINFORCED NUT 8*8	8	T06-173	M12X45 IMBUS BOLT 8*8
2	T07-057	M10X40 STUD	9	T06-010	M12X35 IMBUS BOLT 8*8
3	D13-032	Ø11x25 CENTERING PIN	10	T12-039	Sender Connector (OIL SENDER SOCKET)
4	T04-074	ALISSON FACE GASKET	11	T12-046	ALISSON OIL PRESSURE SENDER (FOX F4S1/M2 1>12 bars)
5	T12-044	ALLISON SOLENOID VALVE 12V (SV90-G39S0-G-24ER-Z-T)	12	T13-034	7/16X7/16 OIL FITTING (ELBOW)
6	T12-044-1	ALLISON SOLENOID VALVE 24V (SV90-G39S0-G-24ER-Z-T)	13	HRT-103	7/16" - 7/16" 80cm hydraulic 3/16" hose (ALS.3060)
7	T04-002	80' GASKET	14	HRT-114	HEADS 7/16" HOSE 3/16" U HOSE (ALISSON LINING LUBRICATION HOSE) 165MM

www.toracompany.com
www.kmspowertakeoff.com
info@toracompany.com
 11417 IL 19, Franklin Park, IL 60131
 (630) 785-2410
 (331) 688-4947

toracompany

 tora.company

