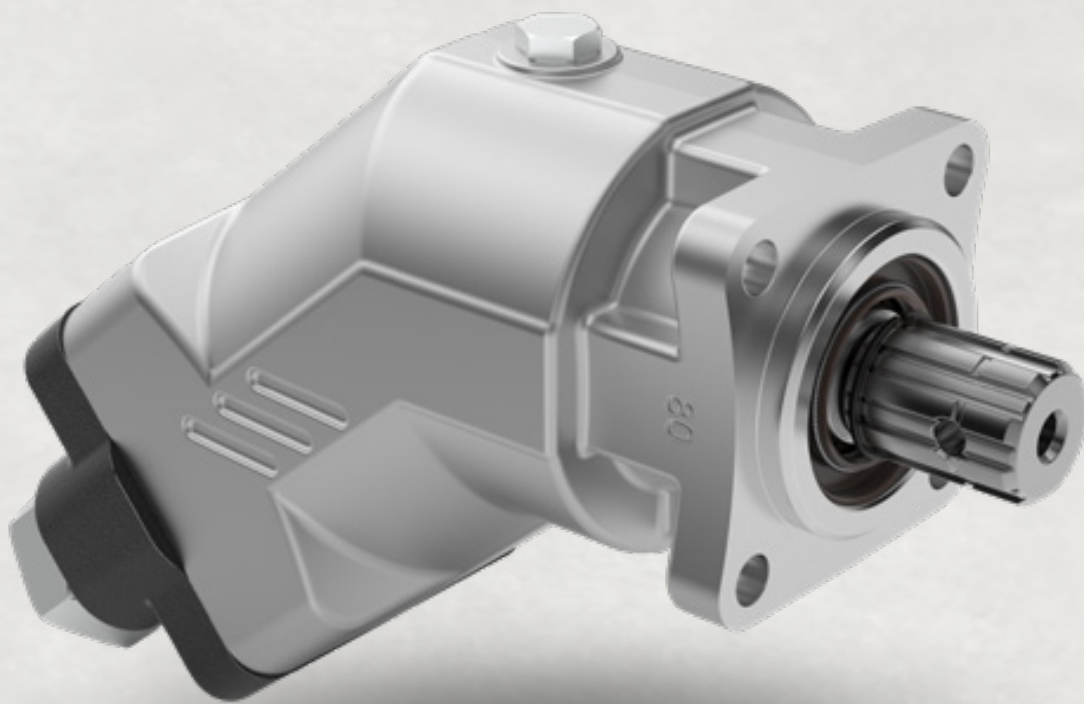




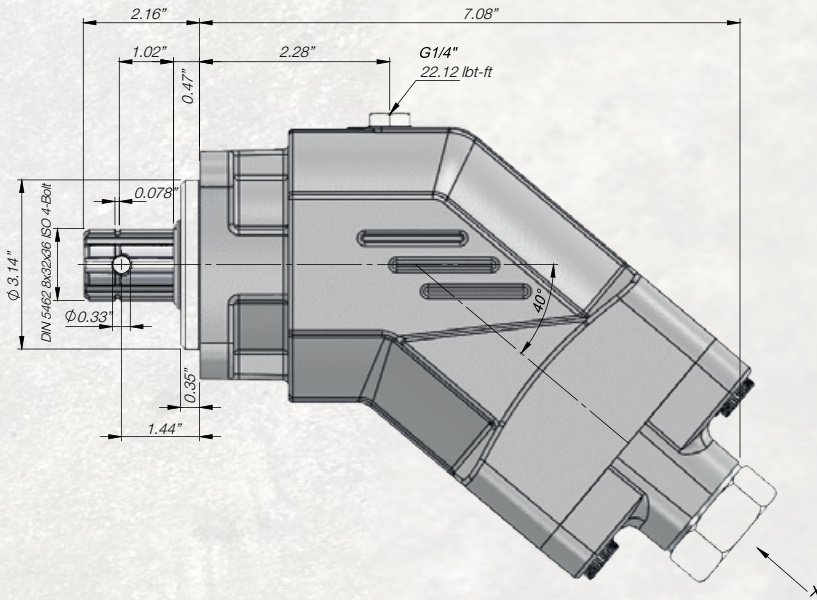
ALUMINUM BENT-AXIS PISTON PUMP



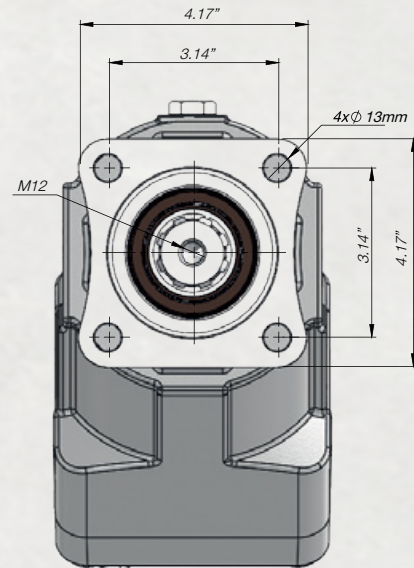
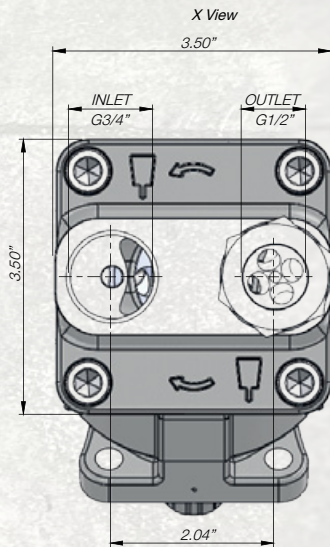
DIN 5462 8x32x36 ISO 4-Bolt BENT AXIS PUMP



5.8 - 8.7 GPM Bent Axis Pump

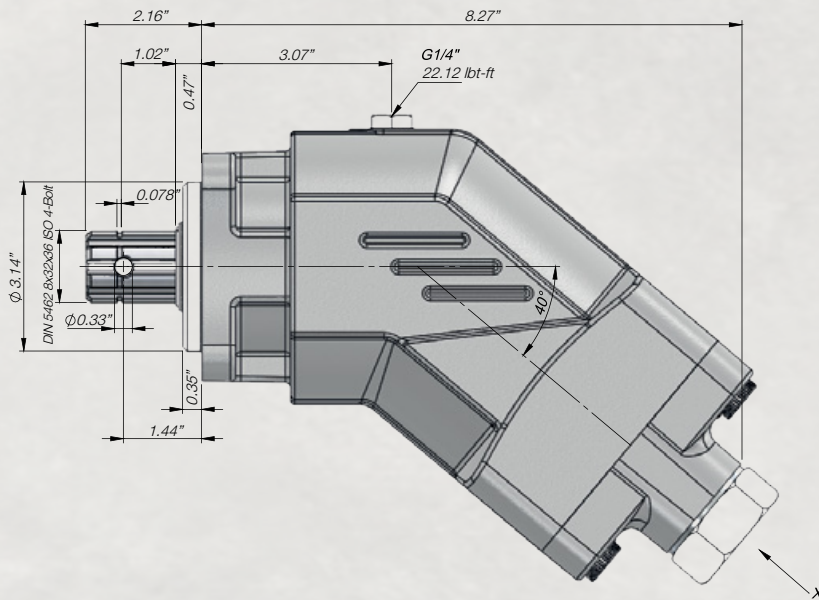


Tightening Torque Of The Plugs	
G1/2"	40.56- 47.94 lb-ft
G3/4"	66.38 - 73.75 lb-ft
G1"	99.57 - 118 lb-ft
G1 1/4"	147.51 - 169.63 lb-ft

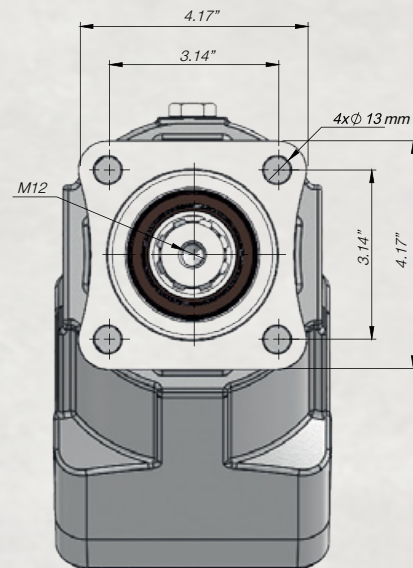
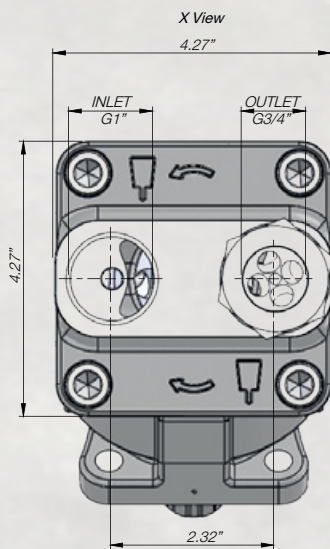


Code <i>L-Left / R-Right</i>	Displacement (GPM)	Max. Continuous Pressure (%100)(PSI)	Min. Speed (RPM)	Max. Speed (RPM)
KH03070220142L/R-2	5.8	5076	400	4300
KH03070330142L/R-2	8.7	5076	400	3900

11.9 GPM Bent Axis Pump

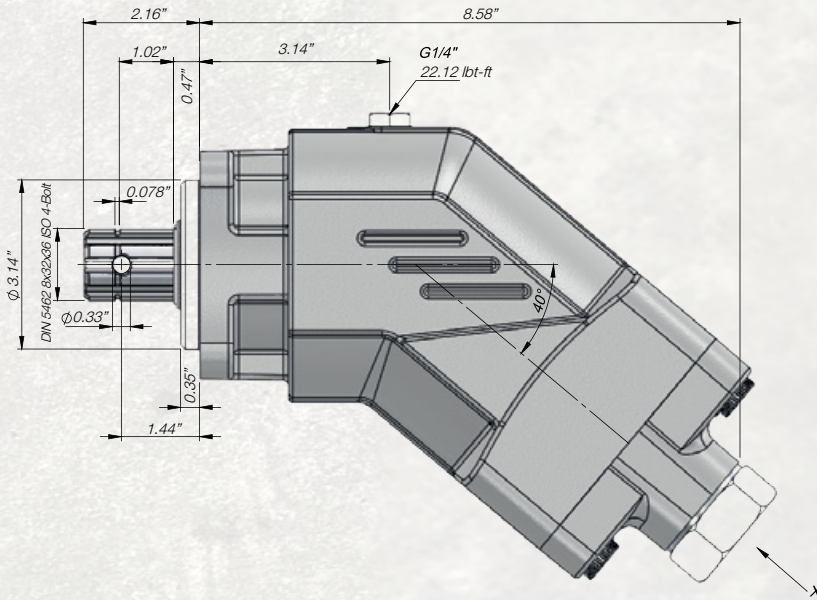


Tightening Torque Of The Plugs	
G1/2"	40.56- 47.94 lb-ft
G3/4"	66.38 - 73.75 lb-ft
G1"	99.57 - 118 lb-ft
G1 1/4"	147.51 - 169.63 lb-ft

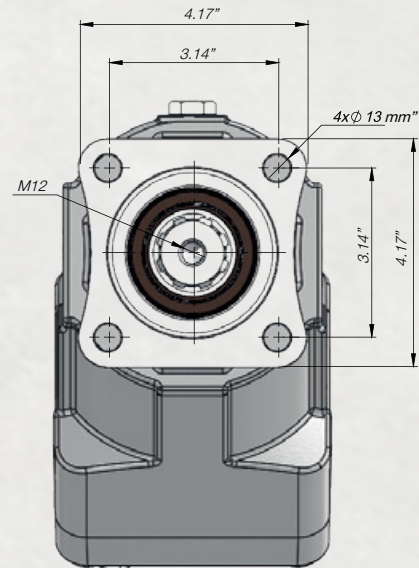
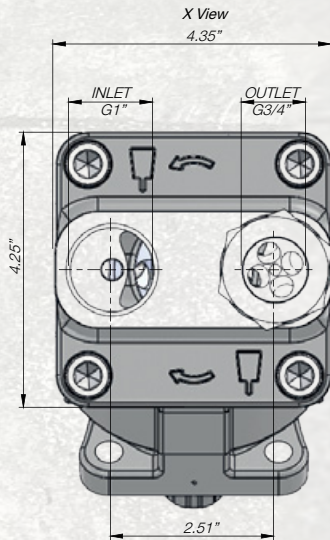


Code L-Left / R-Right	Displacement (GPM)	Max. Continuous Pressure (%100)(PSI)	Min. Speed (RPM)	Max. Speed (RPM)
KH03070450142L/R-2	11.9	5076	400	3800

14.8 & 17 GPM Bent Axis Pump

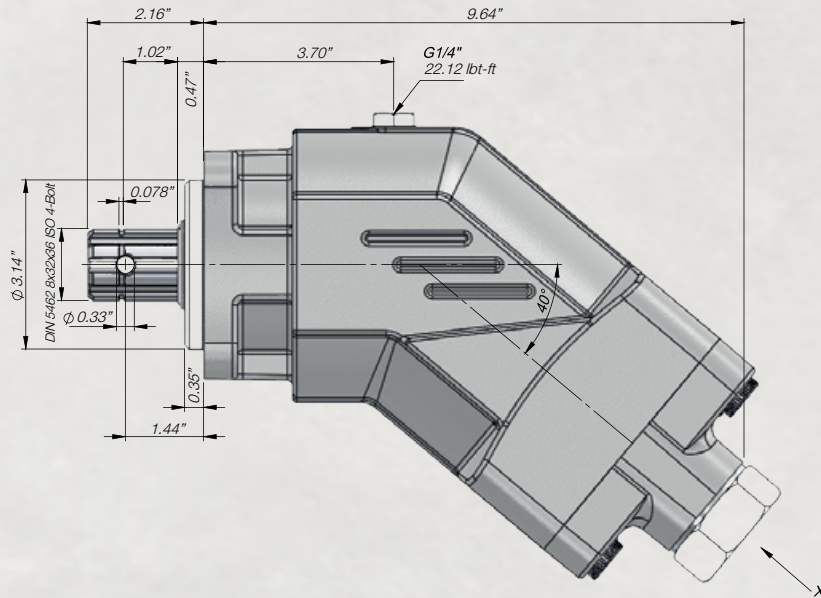


Tightening Torque Of The Plugs	
G1/2"	40.56- 47.94 lb-ft
G3/4"	66.38 - 73.75 lb-ft
G1"	99.57 - 118 lb-ft
G1 1/4"	147.51 - 169.63 lb-ft

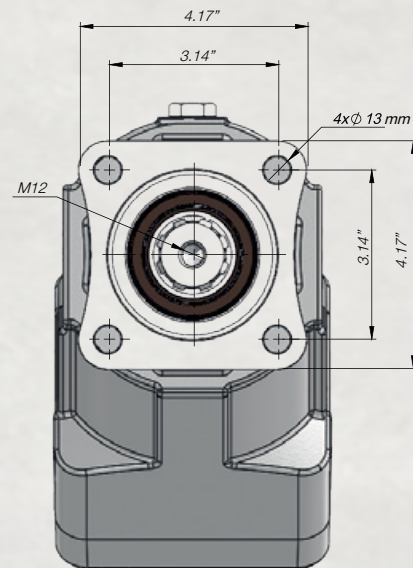
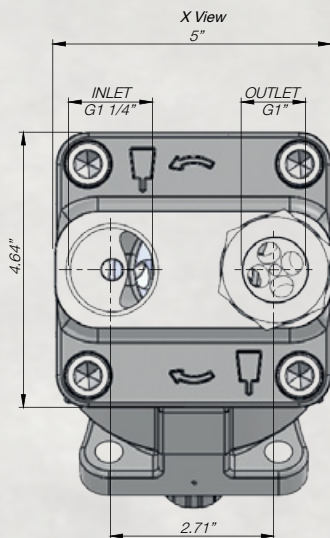


Code <i>L-Left / R-Right</i>	Displacement (GPM)	Max. Continuous Pressure (%100)(PSI)	Min. Speed (RPM)	Max. Speed (RPM)
KH03070560142L/R-2	14.8	5076	400	3700
KH03070650142L/R-2	17	5076	400	3200

21 GPM Bent Axis Pump

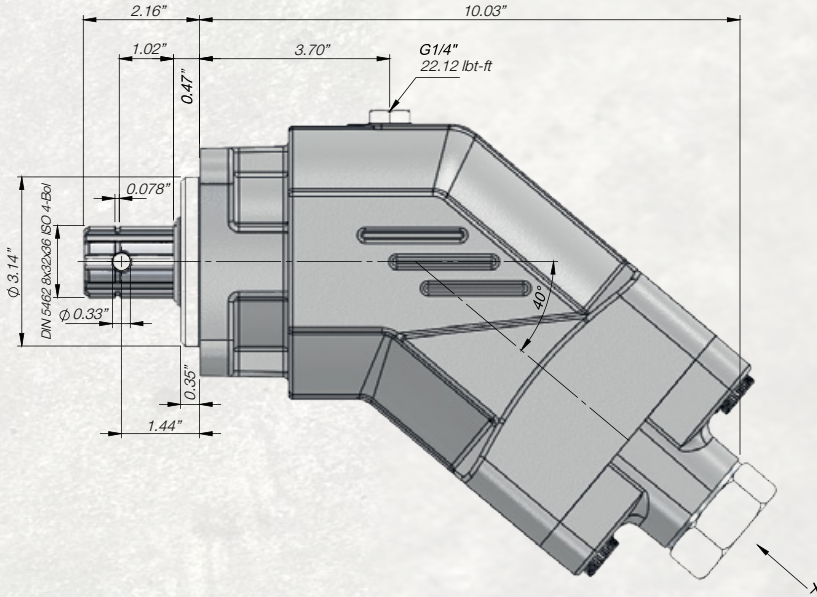


Tightening Torque Of The Plugs	
G1/2"	40.56- 47.94 lb-ft
G3/4"	66.38 - 73.75 lb-ft
G1"	99.57 - 118 lb-ft
G1 1/4"	147.51 - 169.63 lb-ft

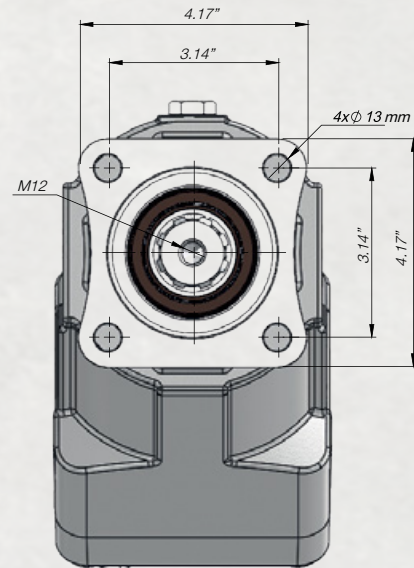
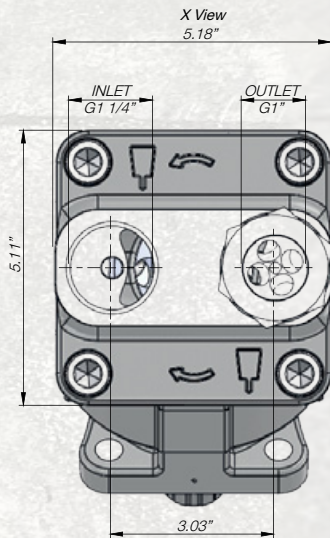


Code L-Left / R-Right	Displacement (GPM)	Max. Continuous Pressure (%100)(PSI)	Min. Speed (RPM)	Max. Speed (RPM)
KH03070800142L/R-2	21	5076	400	3100

28 & 33 GPM Bent Axis Pump



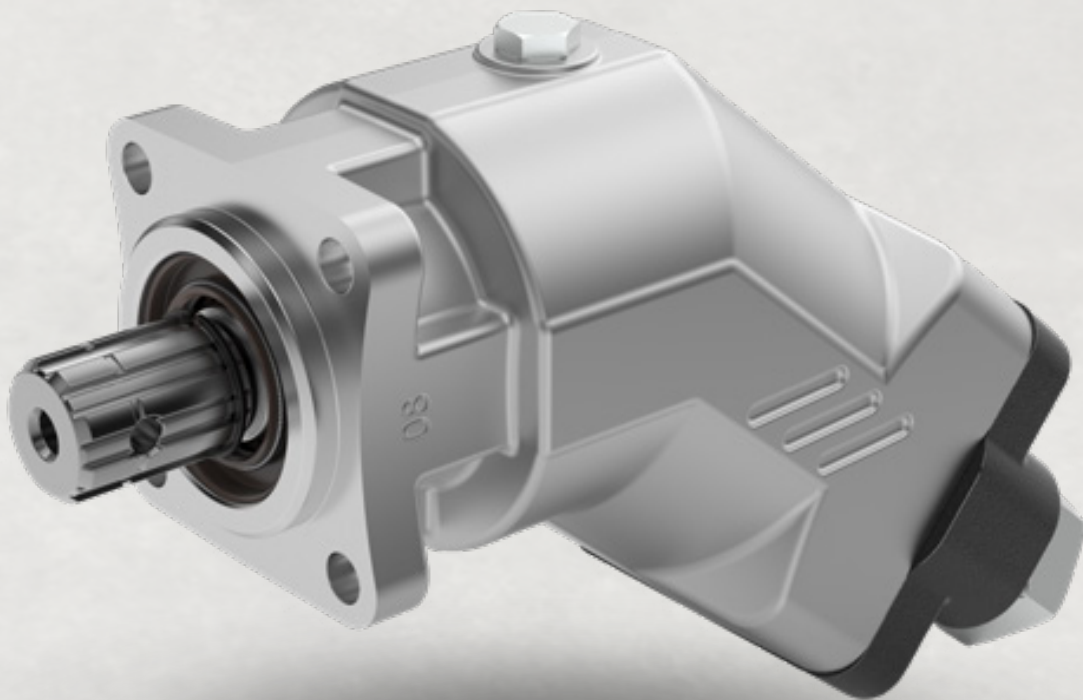
Tightening Torque Of The Plugs	
G1/2"	40.56- 47.94 lb-ft
G3/4"	66.38 - 73.75 lb-ft
G1"	99.57 - 118 lb-ft
G1 1/4"	147.51 - 169.63 lb-ft









Code <i>L-Left / R-Right</i>	Displacement (GPM)	Max. Continuous Pressure (%100)(PSI)	Min. Speed (RPM)	Max. Speed (RPM)
KH03071070142L/R-2	28	5076	400	2800
KH03071250142L/R-2	33	3625	300	2500



ALUMINUM BENT-AXIS PISTON PUMP



DIN 5462 8x32x36 ISO 4-Bolt BENT AXIS PUMP

 www.toracompany.com
 www.kmspowertakeoff.com
 info@toracompany.com
 11417 IL 19, Franklin Park, IL 60131
 (630) 785-2410
 (331) 688-4947



[toracompany](https://www.facebook.com/toracompany)



[tora.company](https://www.instagram.com/tora.company)



www.toracompany.com

