

FULLER

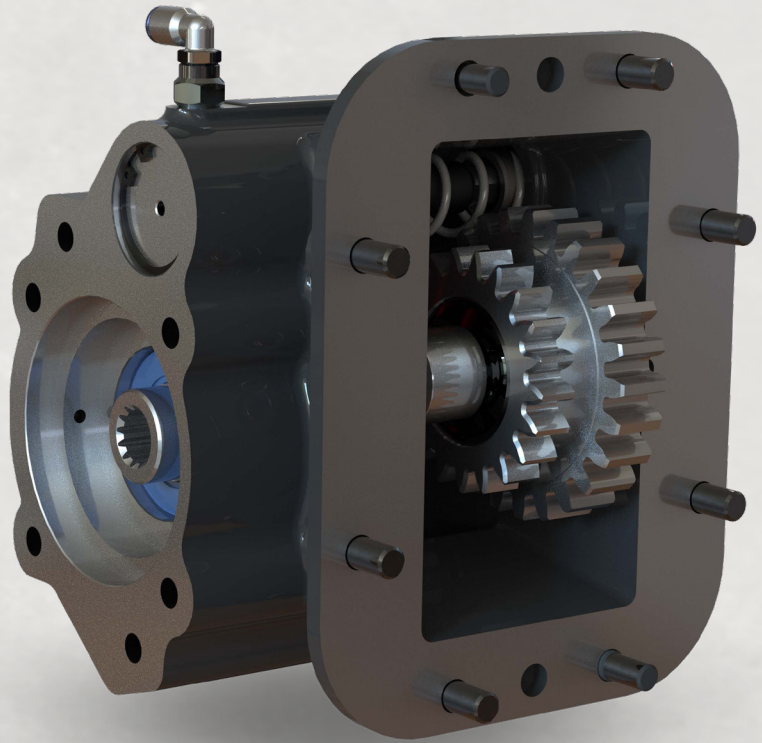
FUL-S8 SERIES

APPLICATIONS

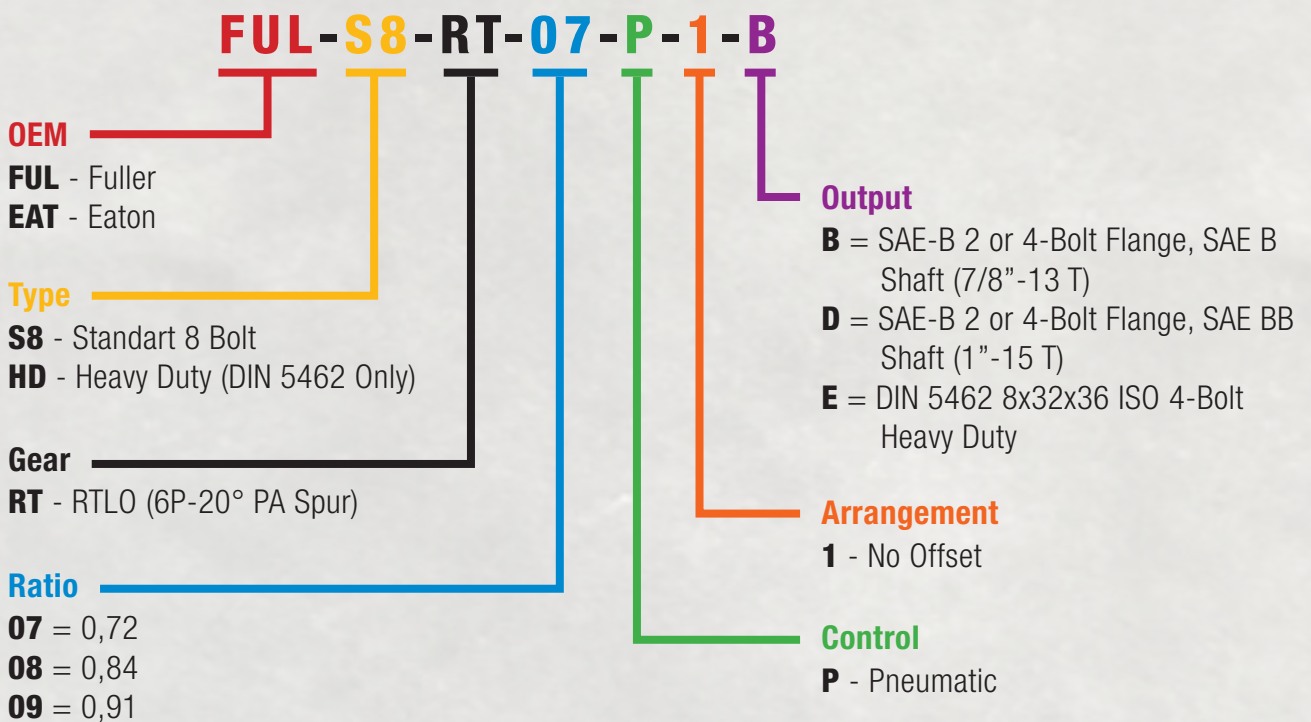
FIRE & RESCUE
 PUMPER CLEANER
 TRUCK CRANES
 REFUSE

TRANSMISSION CODE

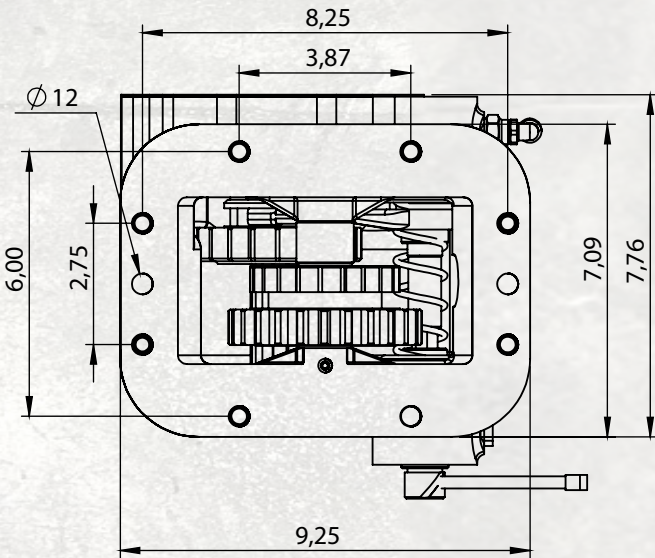
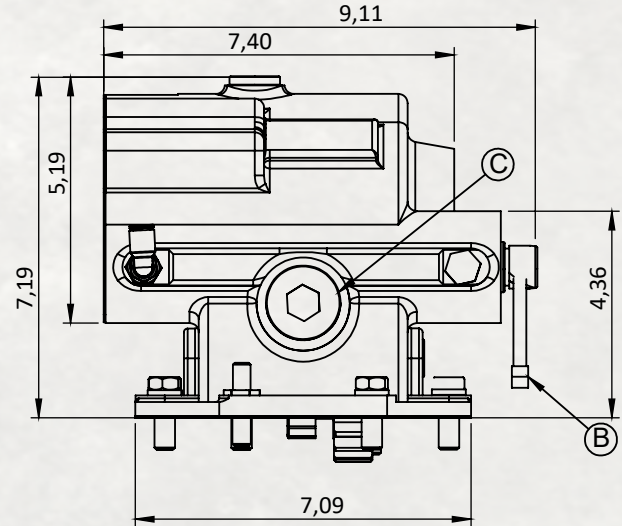
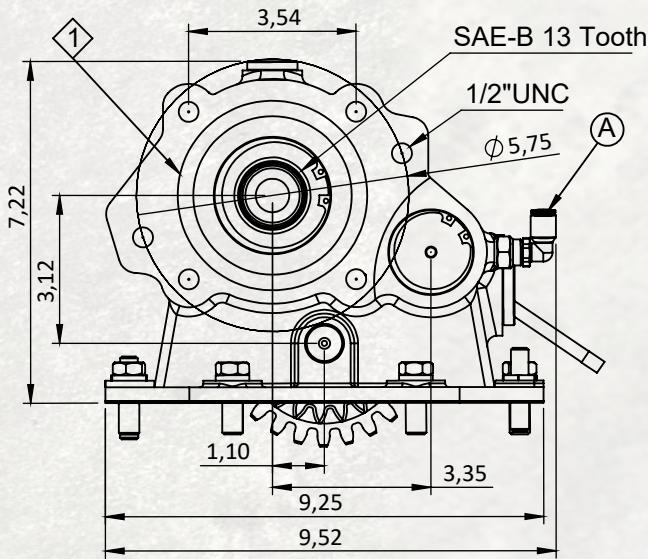
MD 3000 / 3060 / 3070
 3560 / 3066 / 3566
 HD 4060 4070 / 4076 /4560



FUL-S8 SERIES PTO MODEL NUMBER DESIGNATOR & SPECIFICATIONS



FUL-S8 SERIES TECHNICAL DETAILS



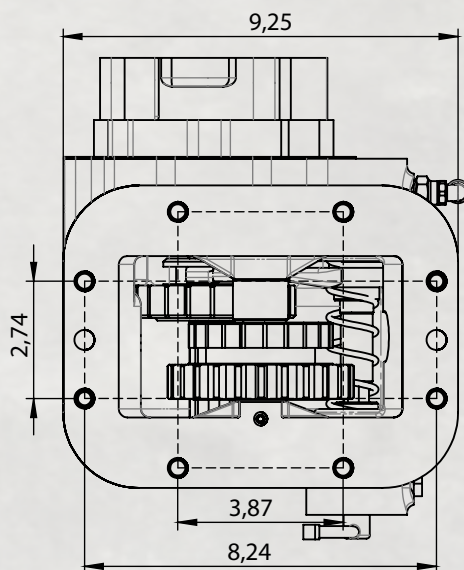
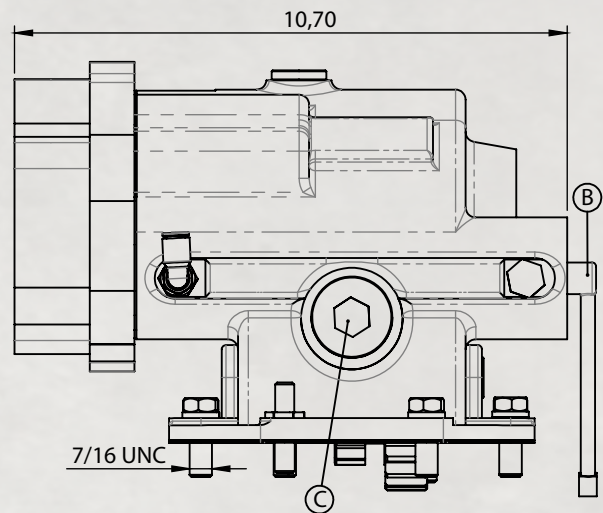
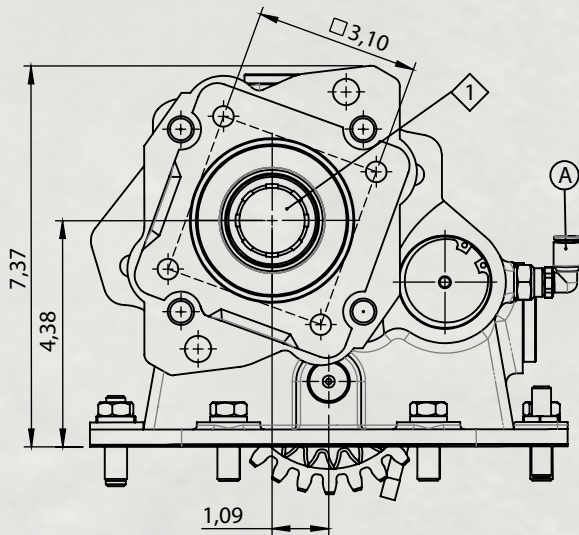
1	SAE-B 2 or 4-Bolt Flange, SAE B Shaft (7/8"-13 T)
(A)	Air Inlet R 1/8"
(B)	Engage/ Disengage Sensor
(C)	Gear Backlash Control Plug

Max Working RPM : 2000
Optimum Working Temp. : 25-80°C
Short-term Working Temp. : 80-90°C
Risking Working Temp. : Over 90°C
Body Material : US 65-42-42
Weight : 65-78 lbs <i>*Varies Depending on Output Type*</i>

	FUL-S8*07	FUL-S8*08	FUL-S8*09
Con. Torque Rating (lb-ft)	230	230	205
Power @ 1000RPM (HP)	44	44	39



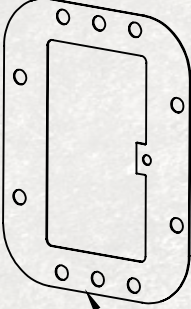
HEAVY DUTY DIN 5462 8x32x36 ISO 4-Bolt



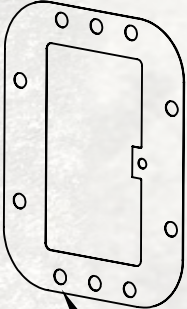
❶	SAE-B 2 or 4-Bolt Flange, SAE B Shaft (7/8"-13 T)
(A)	Air Inlet R 1/8"
(B)	Engage/ Disengage Sensor
(C)	Gear Backlash Control Plug

	FUL-HD*07	FUL-HD*08	FUL-HD*09
Con. Torque Rating (lb-ft)	350	350	310
Power @ 1000RPM (HP)	66	66	58

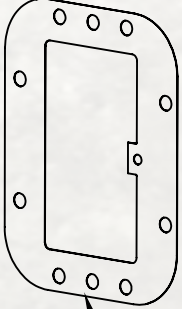
ACCESSORIES



T04-136




T04-136-1




T04-136-2


	Code	Qty
1	T04-136	1
2T	04-136-11	
3T	04-136-21	




T07-067




T17-044




T06-350




T17-038



T08-049









T06-324







T06-325

	Code	Qty
4	T07-067	8
5	T17-038	8
6	T06-324	4
7	T17-044	8
8	T08-049	4
9	T06-325	4
10	T06-350	4

No	Code	Description	No	Code	Description
1	T04-136	FUL-S8 Gasket 1 mm	6	T06-324	7/16X31.75 AKB Bolt UNC
2	T04-136-1	FUL-S8 Gasket 0,50 mm	7	T17-044	7/16 Steel Washer
3	T04-136-2	FUL-S8 Gasket 0,30 mm	8	T08-049	7/16' UNF (20 Teeth) Nut
4	T07-067	7/16' UNC Length 16 7/16' UNF Length 19 Stud Full Length: 45 mm	9	T06-325	1/2'' UNC L:35 mm AKB Bolt
5	T17-038	7/16 Spring Washer	10	T06-350	1/2''UNC L:35 mm Imbus

 www.toracompany.com
 www.kmspowertakeoff.com
 info@toracompany.com
 11417 IL 19, Franklin Park, IL 60131
 (630) 785-2410
 (331) 688-4947




 toracompany

 tora.company

