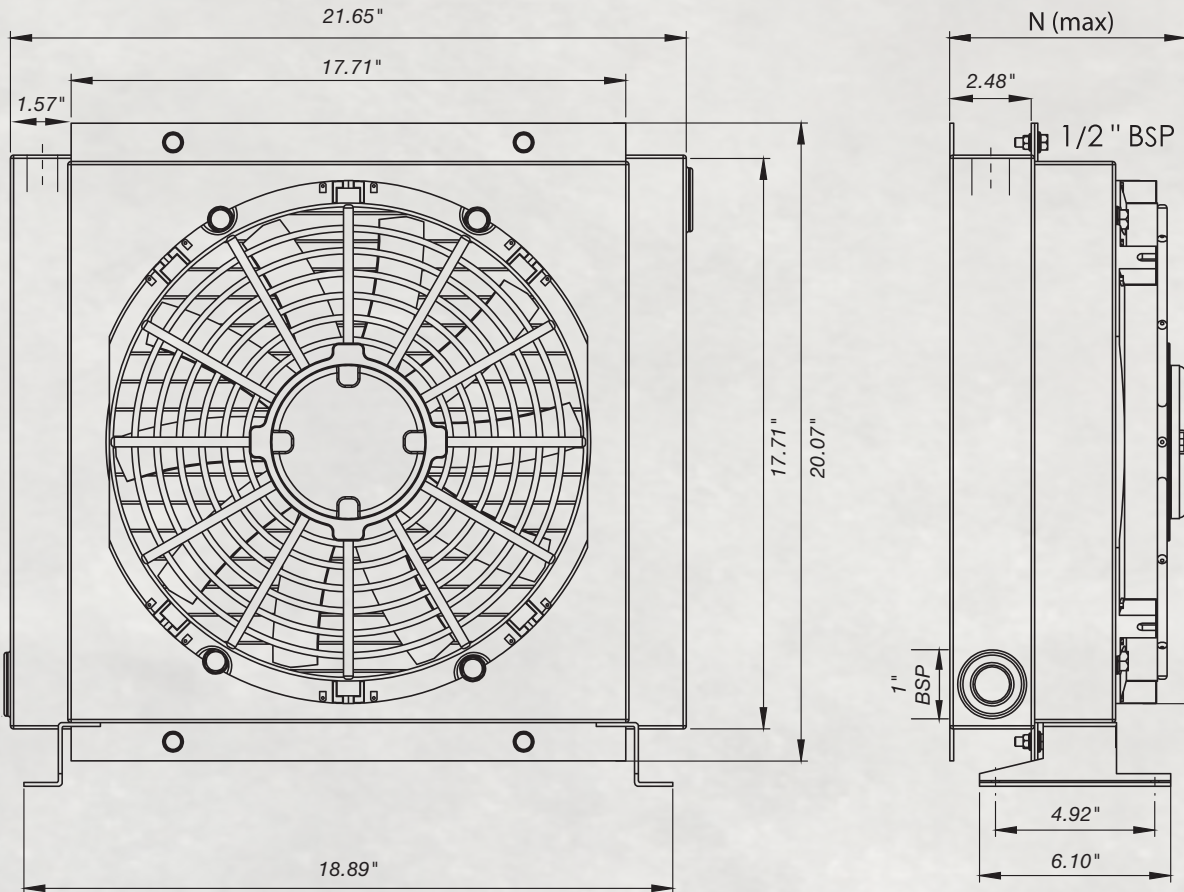


TCF-40 Hydraulic Cooling Fan

Max Flow (GPM)	Capacity (kcal/h)
42	25000



Voltage	Fan Diameter	Fan Speed (RPM)	dB(A) 1M	Power (HP)	Operation Pressure (PSI)	N (Max)
12 & 24	13.58"	2700	78	0.28	362	7.36"
230 & 400	13.77"	2800	74	0.43	362	10.11"