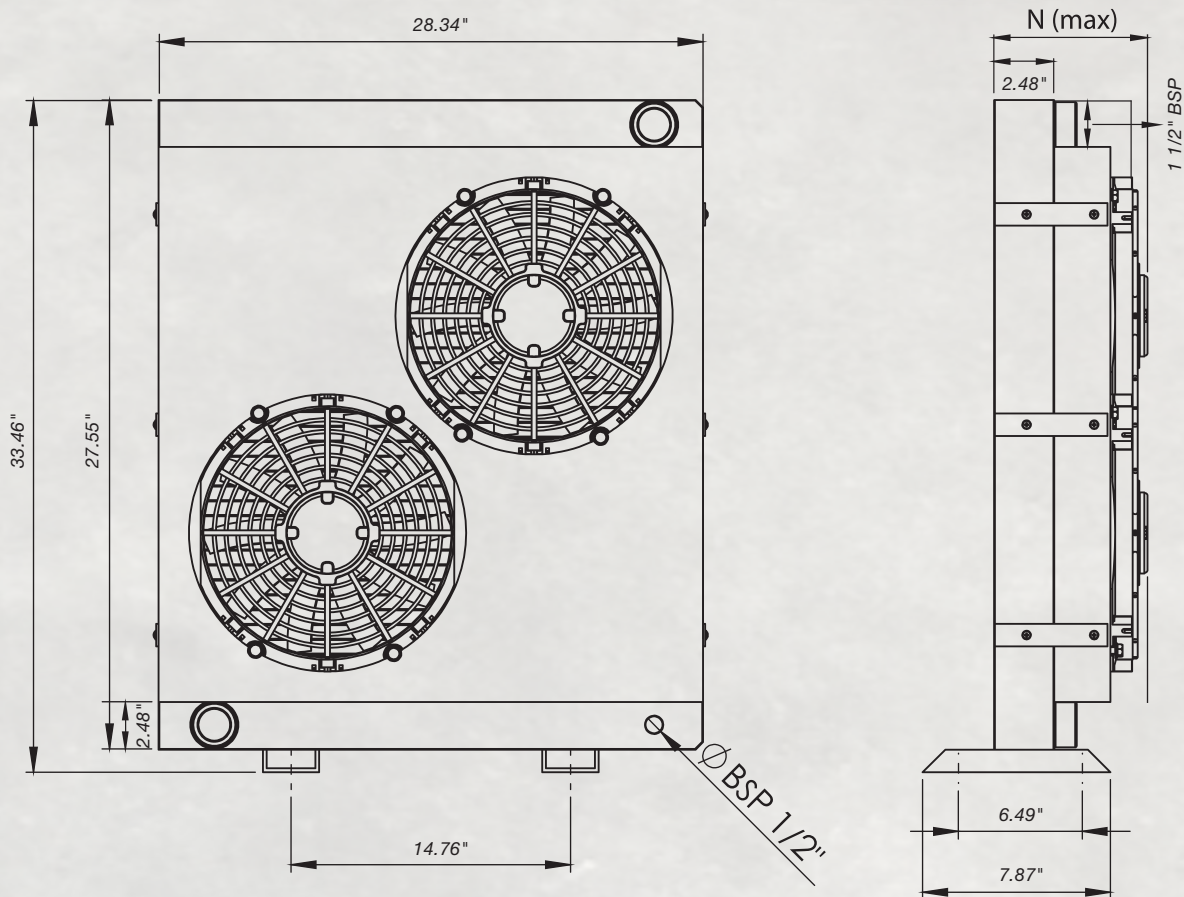


# TCF-60 Hydraulic Cooling Fan

Max Flow (GPM)	Capacity (kcal/h)
58	60000



Voltage	Fan Diameter	Fan Speed (RPM)	dB(A) 1M	Power (HP)	Operation Pressure (PSI)	N (Max)
12 & 24	6.10"	2700	74	0.20	362	7.75"
230 & 400	24.80"	2800	98	0.58	362	11.69"