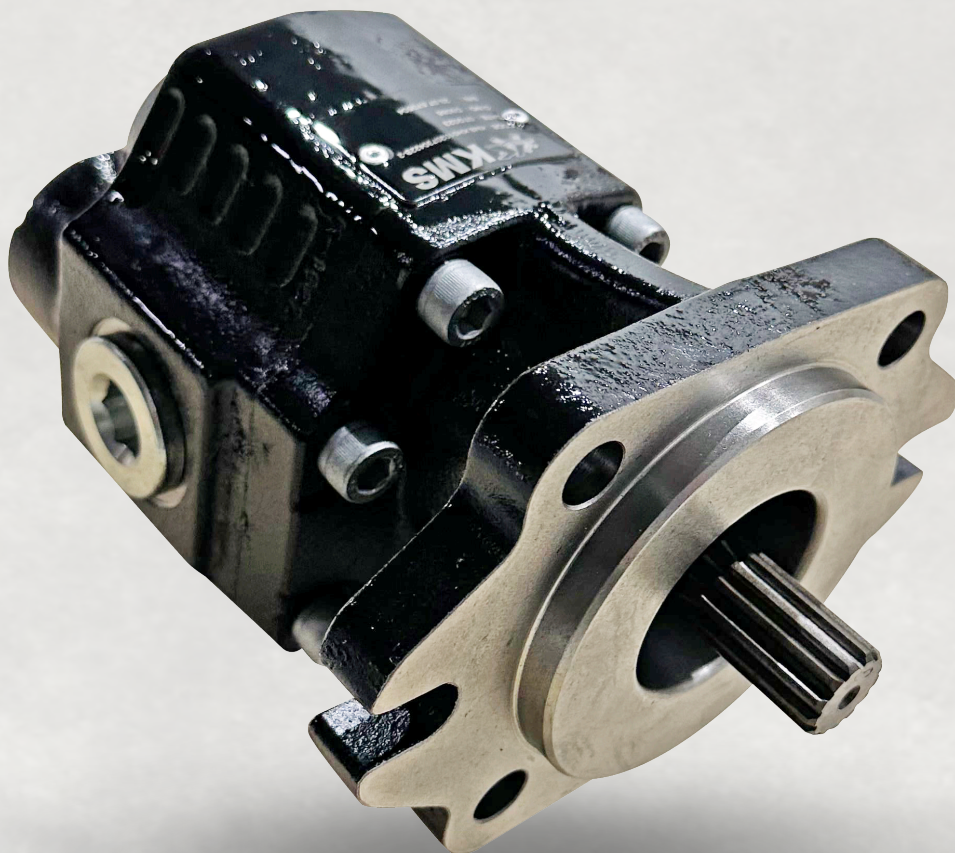




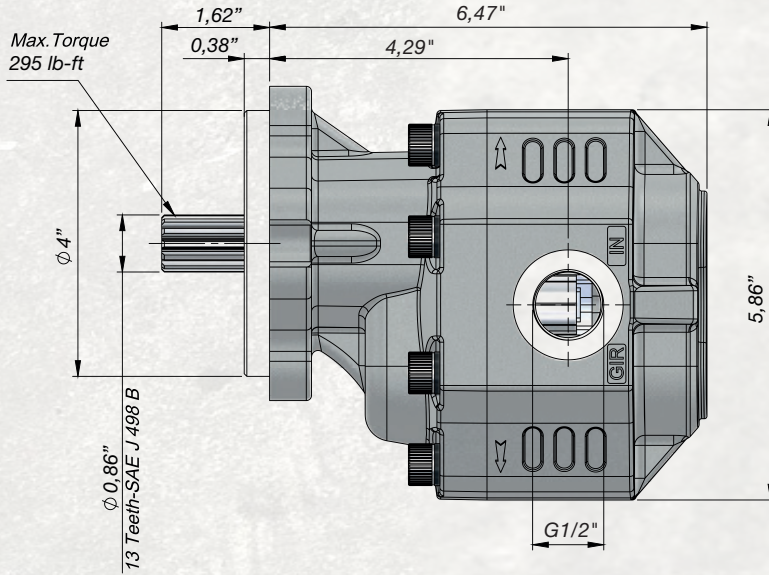
HYDRAULIC GEAR PUMP



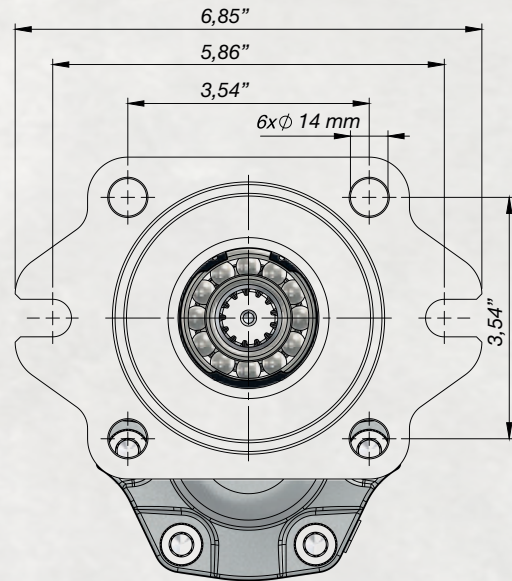
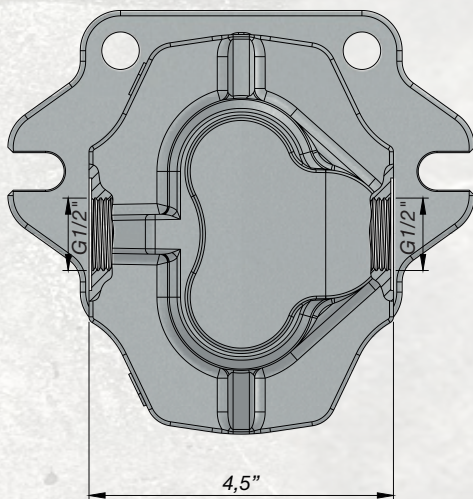
2+4 HOLES SAE B 13 T BI-DIRECTIONAL
2 PORT GEAR PUMP



4,5 GPM Hydraulic Gear Pump

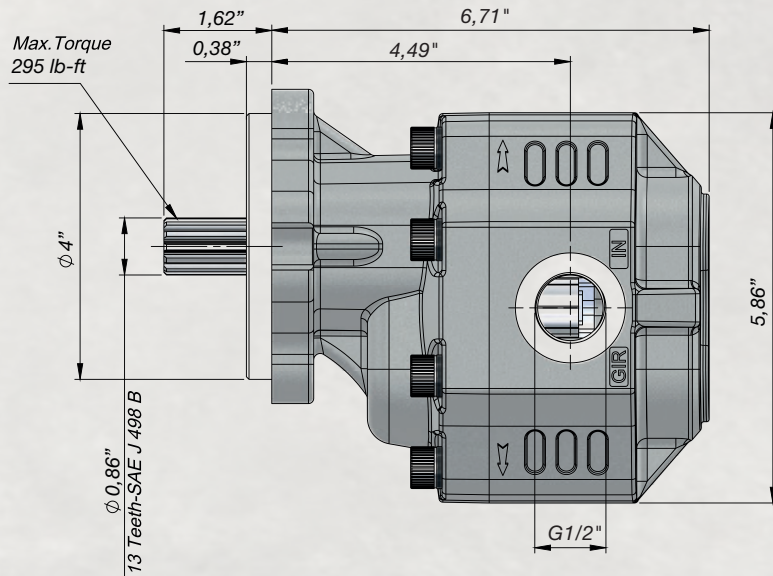


Inlet Pressure	4.35 ÷ 29 PSI		
Operating Viscosity Range	-12:100 cSt		
Fluid Temperature	-40 °F +293 °F		
Working Pressure	Contamination		Filter βx=75
	NAS 1638	ISO 4406	
≥2900 PSI	11	20/17	25 μm
≤2900 PSI	12	21/18	40 μm

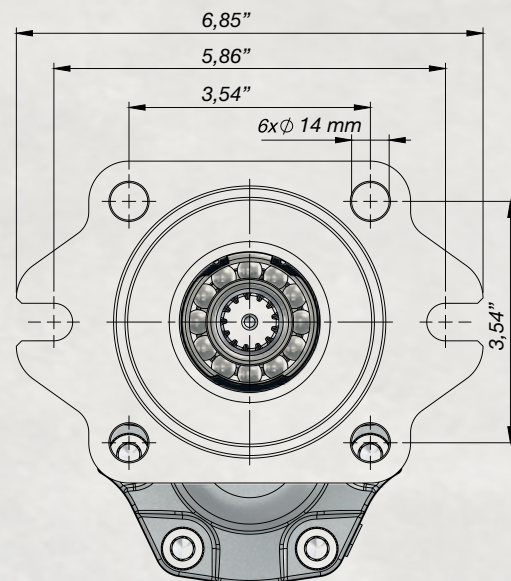
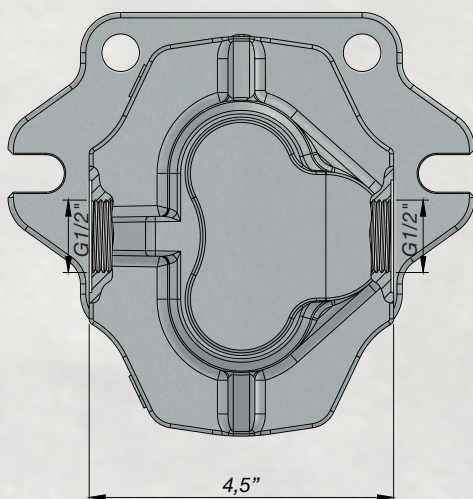


Code BD	Displacement (GPM)	Max. Continuous Pressure (%100)(PSI)	Min. Speed (RPM)	Max. Continuous Speed (RPM)
KH01020170432B-2	4,5	3916	300	2300

7 GPM Hydraulic Gear Pump

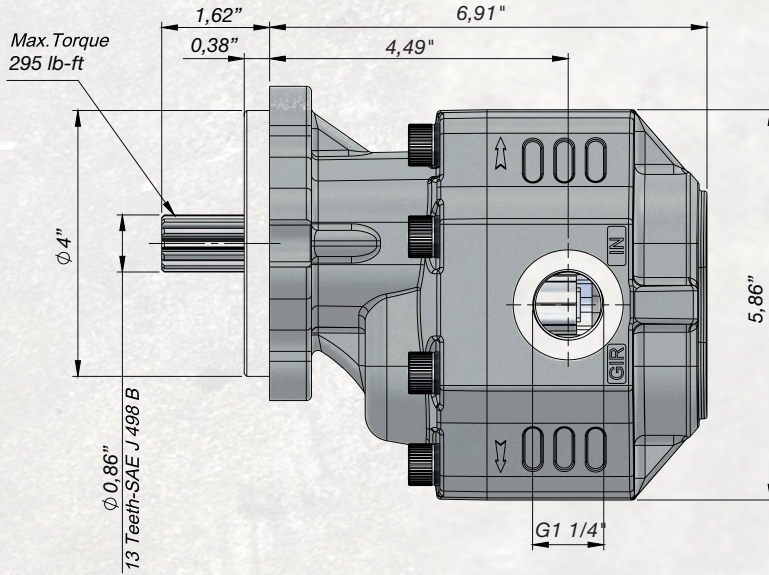


Inlet Pressure	4.35 ÷ 29 PSI		
Operating Viscosity Range	-12:100 cSt		
Fluid Temperature	-40 °F +293 °F		
Working Pressure	Contamination		Filter $\beta_x=75$
	NAS 1638	ISO 4406	
≥ 2900 PSI	11	20/17	25 μm
≤ 2900 PSI	12	21/18	40 μm

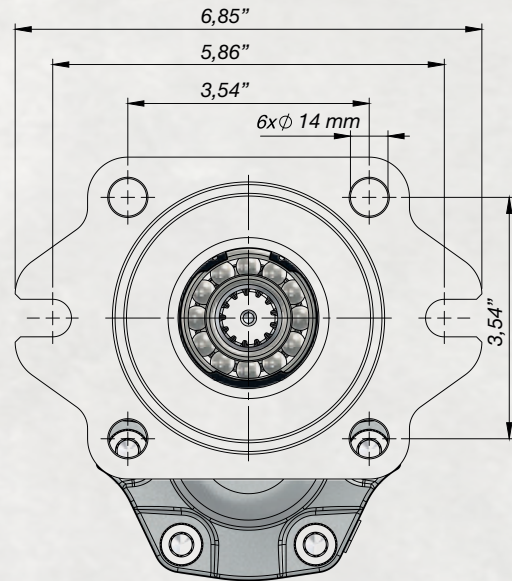
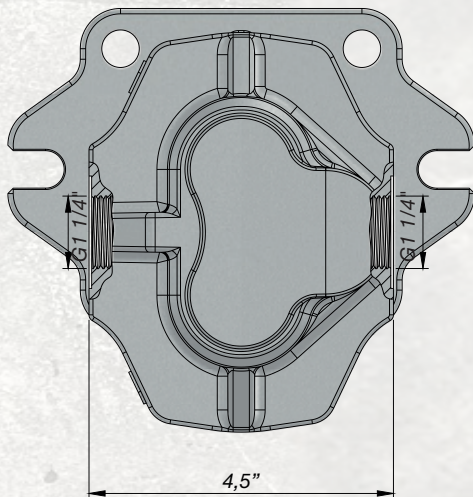


Code BD	Displacement (GPM)	Max. Continuous Pressure (%100)(PSI)	Min. Speed (RPM)	Max. Continuous Speed (RPM)
KH01020270432B-2	7	3843	300	2300

26 GPM Hydraulic Gear Pump

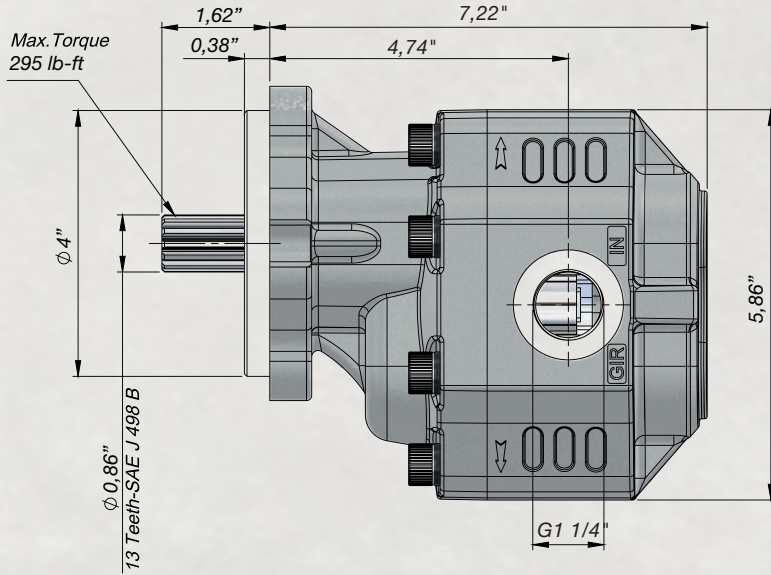


Inlet Pressure	4.35 ÷ 29 PSI		
Operating Viscosity Range	-12:100 cSt		
Fluid Temperature	-40 °F +293 °F		
Working Pressure	Contamination		Filter βx=75
	NAS 1638	ISO 4406	
≥2900 PSI	11	20/17	25 μm
≤2900 PSI	12	21/18	40 μm

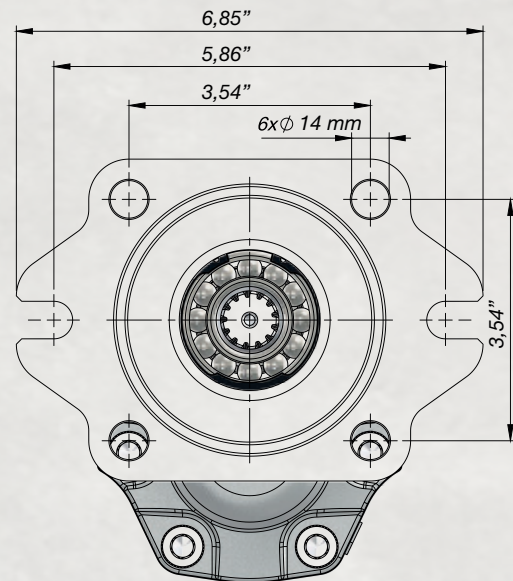
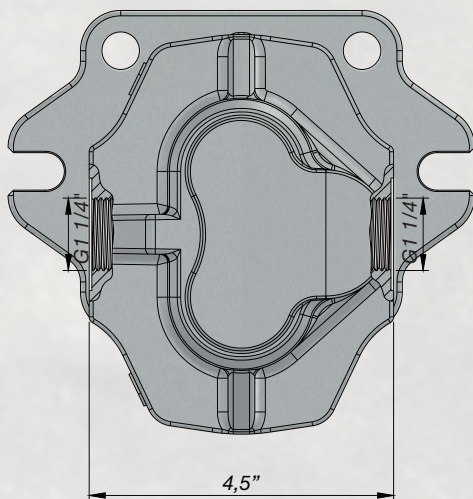


Code BD	Displacement (GPM)	Max. Continuous Pressure (%100)(PSI)	Min. Speed (RPM)	Max. Continuous Speed (RPM)
KH01021000432B-2	26	2465	300	1400

33 GPM Hydraulic Gear Pump



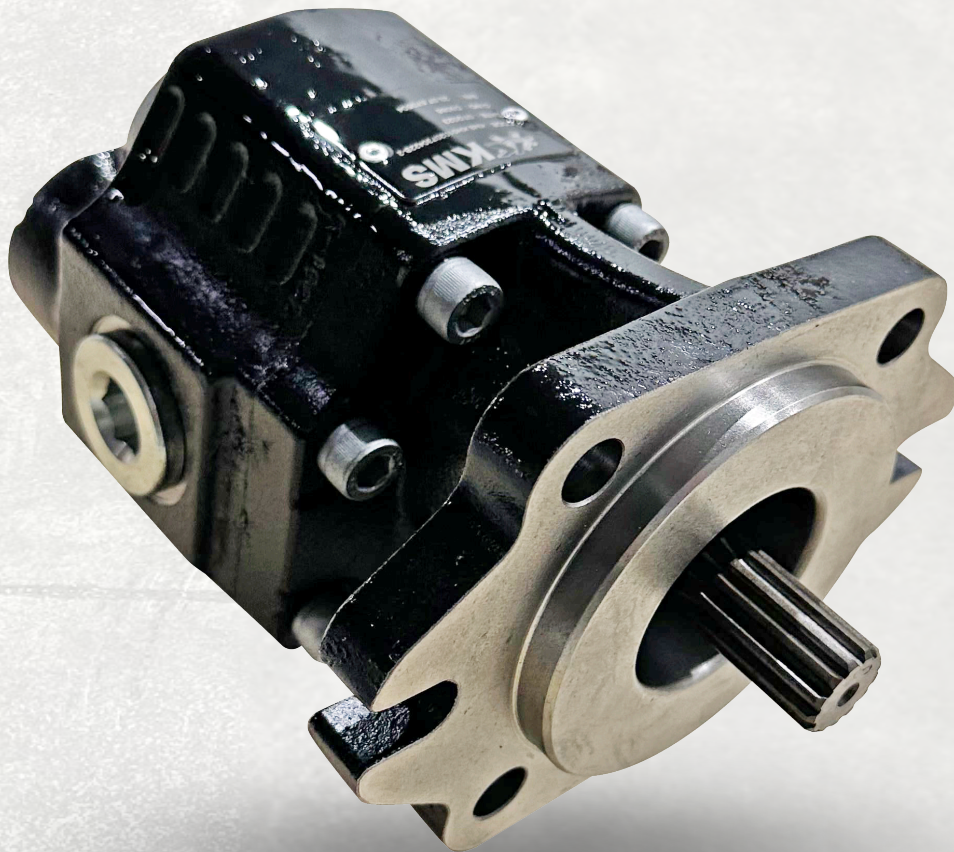
Inlet Pressure	4.35 ÷ 29 PSI		
Operating Viscosity Range	-12:100 cSt		
Fluid Temperature	-40 °F +293 °F		
Working Pressure	Contamination		Filter βx=75
	NAS 1638	ISO 4406	
≥2900 PSI	11	20/17	25 μm
≤2900 PSI	12	21/18	40 μm







Code BD	Displacement (GPM)	Max. Continuous Pressure (%100)(PSI)	Min. Speed (RPM)	Max. Continuous Speed (RPM)
KH01021250432B-2	33	2320	300	1600



HYDRAULIC GEAR PUMP



2+4 HOLES SAE B 13 T BI-DIRECTIONAL
2 PORT GEAR PUMP

 www.toracompany.com
 www.kmspowertakeoff.com
 info@toracompany.com
 11417 IL 19, Franklin Park, IL 60131
 (630) 785-2410
 (331) 688-4947



[toracompany](https://www.facebook.com/toracompany)



[tora.company](https://www.instagram.com/tora.company)



www.toracompany.com

