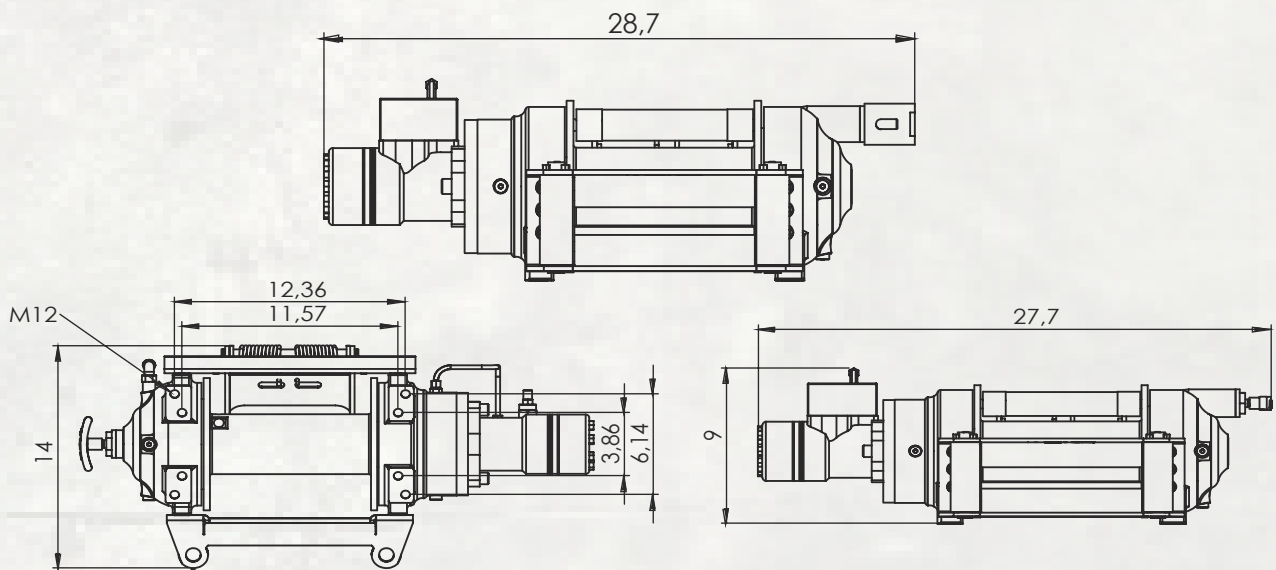
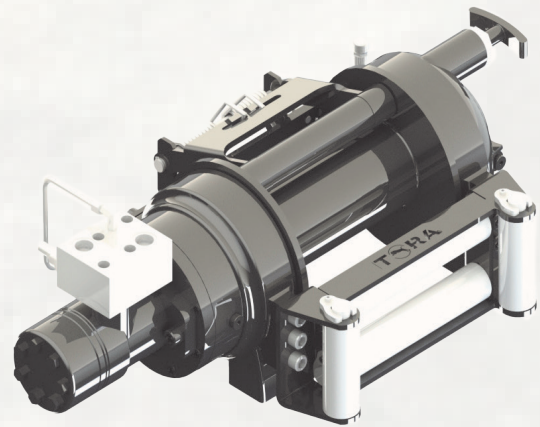
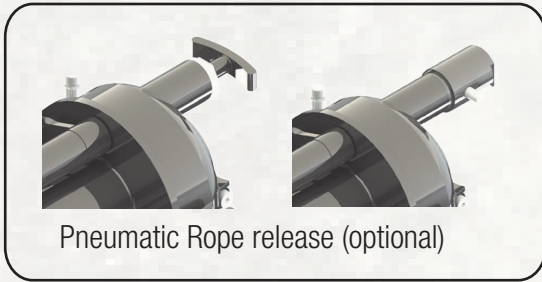


THW-10K



Rope Winding Count	Pulling Capacity lbs	Winding Speed ft-min	Rope Length ft
1	10000	47	22
2	8370	52	47
3	7215	57	74
4	6342	62	103
5	5657	66	134

Maximum Pulling Force	10000 lbs
Maximum Rope Diameter	3/8"
Maximum Pump Flow	15.8 gpm
Maximum Operating Pressure	2030 psi
Recommended Gear Oil Product	80w 90 - 23.6 fl oz
Weight	141 lbs
Maximum Rope Length	134 ft
Hydromotor	15 in ³
Gear Ratio	5/1w

