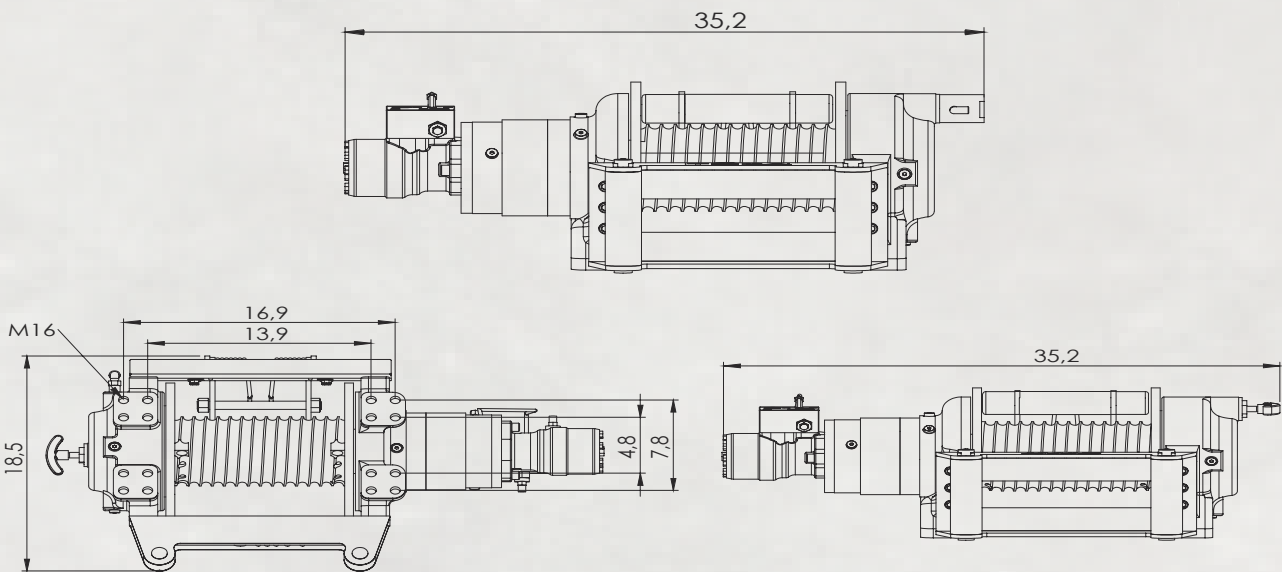
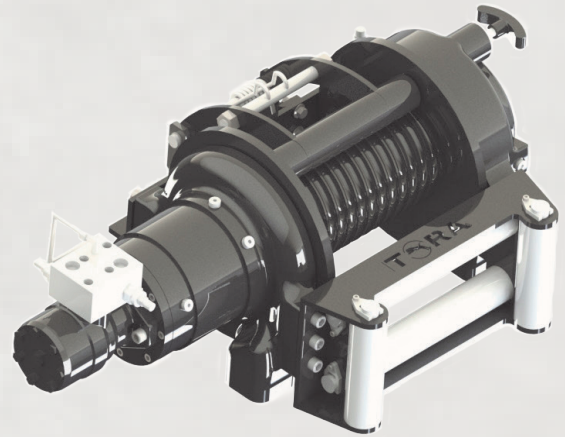
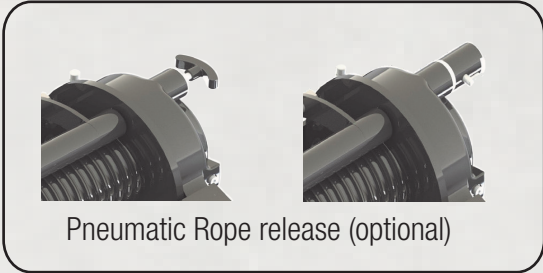


THW-26K



Rope Winding Count	Pulling Capacity lbs	Winding Speed ft-min	Rope Length ft
1	26500	20	19
2	21841	22	43
3	18607	25	72
4	16203	27	105
5	14352	30	141

Maximum Pulling Force	26500 lbs
Maximum Rope Diameter	5/8"
Maximum Pump Flow	15.8 gpm
Maximum Operating Pressure	2320 psi
Recommended Gear Oil Product	80w 90 - 34 fl oz
Weight	341 lbs
Maximum Rope Length	141 ft
Hydromotor	12 in ³
Gear Ratio	21/1

