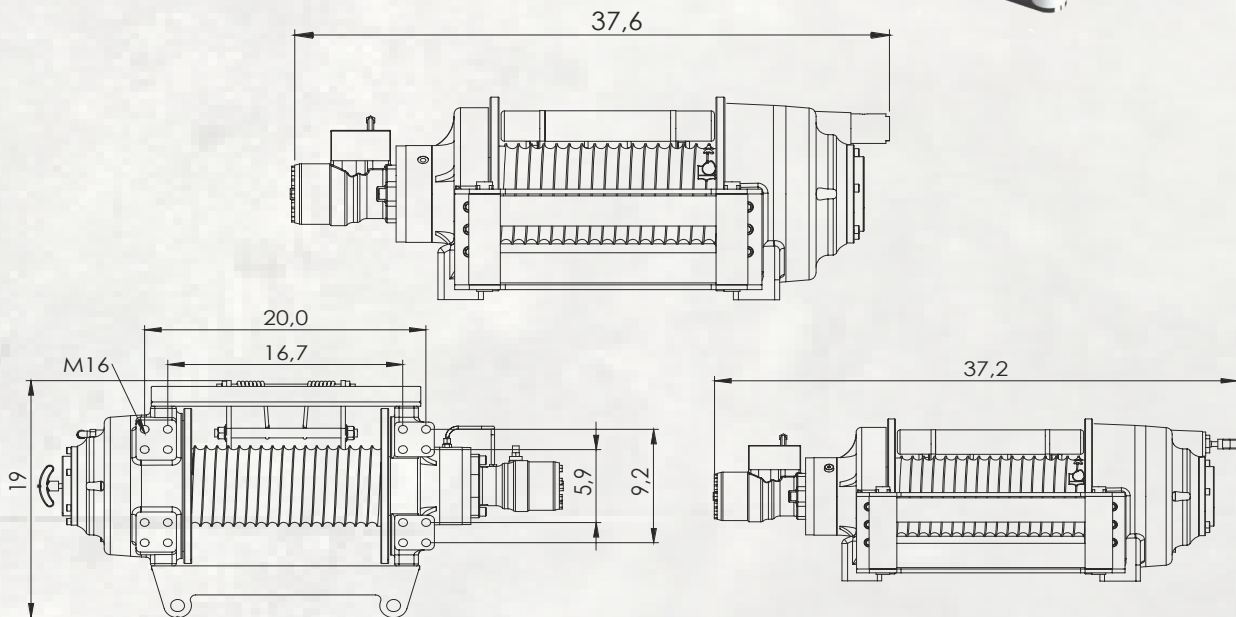
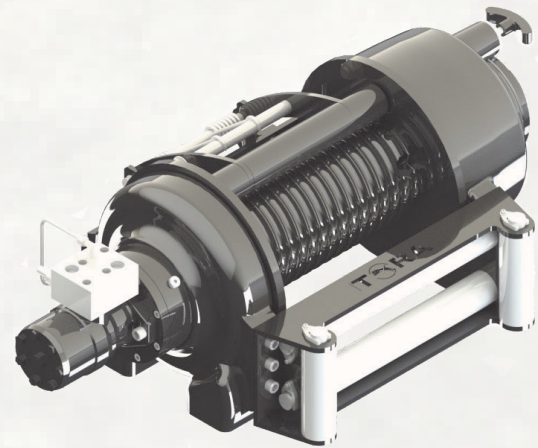
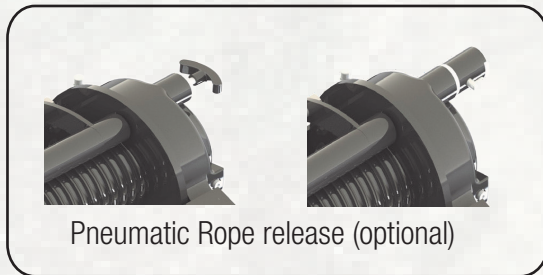


THW-33K



Rope Winding Count	Pulling Capacity lbs	Winding Speed ft-min	Rope Length ft
1	33000	16	24
2	27844	18	55
3	23682	20	91
4	20593	22	137

Maximum Pulling Force	33000 lbs
Maximum Rope Diameter	45/64"
Maximum Pump Flow	15.8 gpm
Maximum Operating Pressure	2393 psi
Recommended Gear Oil Product	80w 90 - 68 fl oz
Weight	429 lbs
Maximum Rope Length	137 ft
Hydromotor	10 in ³
Gear Ratio	36/1