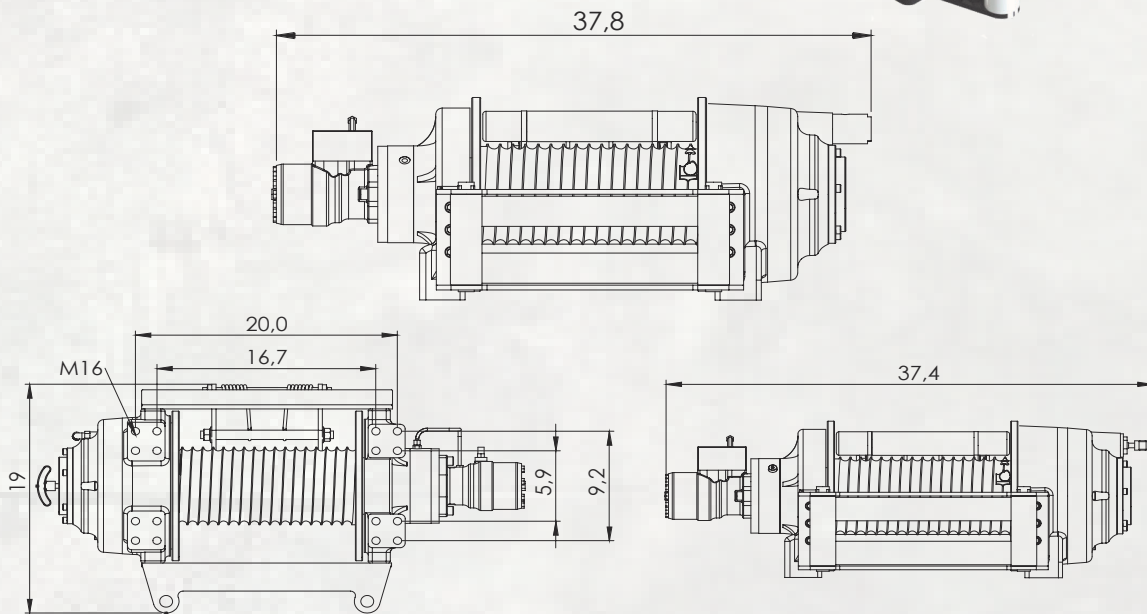
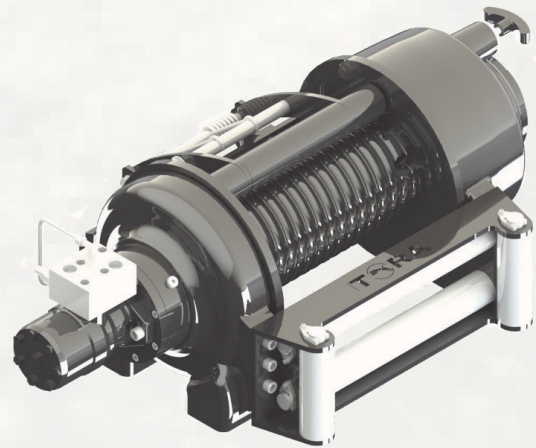
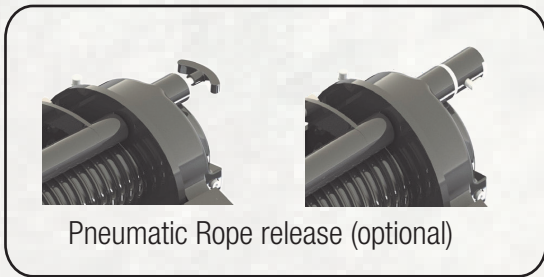


# THW-40K



Rope Winding Count	Pulling Capacity lbs	Winding Speed ft-min	Rope Length ft
1	40000	14	24
2	32716	15	55
3	27809	17	91
4	14180	19	137

<b>Maximum Pulling Force</b>	40000 lbs
<b>Maximum Rope Diameter</b>	45/64"
<b>Maximum Pump Flow</b>	15.8 gpm
<b>Maximum Operating Pressure</b>	2393 psi
<b>Recommended Gear Oil Product</b>	80w 90 - 68 fl oz
<b>Weight</b>	441 lbs
<b>Maximum Rope Length</b>	137 ft
<b>Hydromotor</b>	12 in <sup>3</sup>
<b>Gear Ratio</b>	36/1