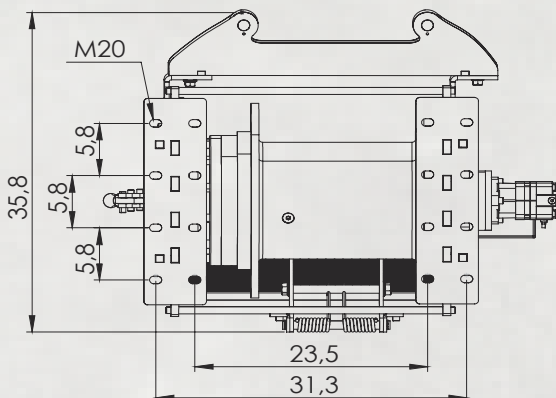
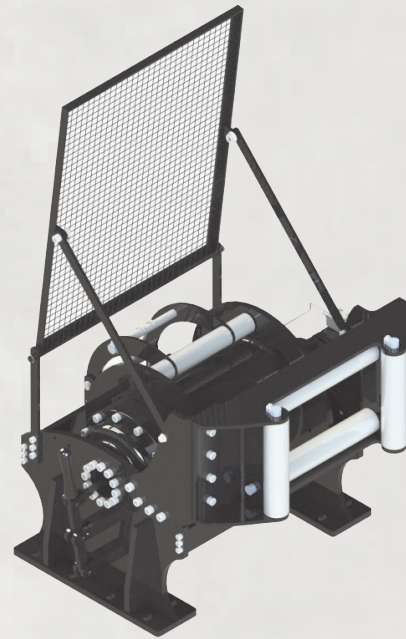
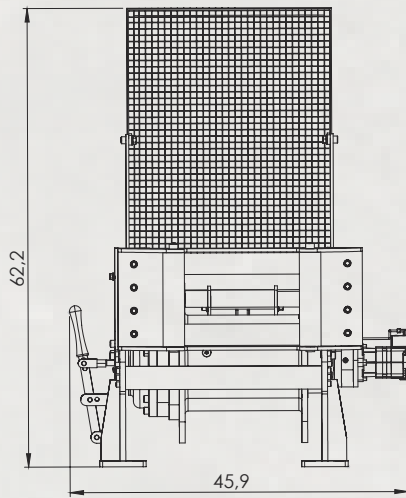


# THW-66K



<b>Maximum Pulling Force</b>	66000 lbs
<b>Maximum Rope Diameter</b>	45/64"
<b>Maximum Pump Flow</b>	19.8 gpm
<b>Maximum Operating Pressure</b>	2393 psi
<b>Recommended Gear Oil Product</b>	80w 90 - 135 fl oz
<b>Weight</b>	1069 lbs
<b>Maximum Rope Length</b>	242 ft
<b>Hydromotor</b>	9.6 in <sup>3</sup>
<b>Gear Ratio</b>	150/1

<b>Rope Winding Count</b>	<b>Pulling Capacity lbs</b>	<b>Winding Speed ft-min</b>	<b>Rope Length ft</b>
1	66000	11	54
2	58047	12	113
3	51482	14	175
4	45252	16	242