

ALLISON

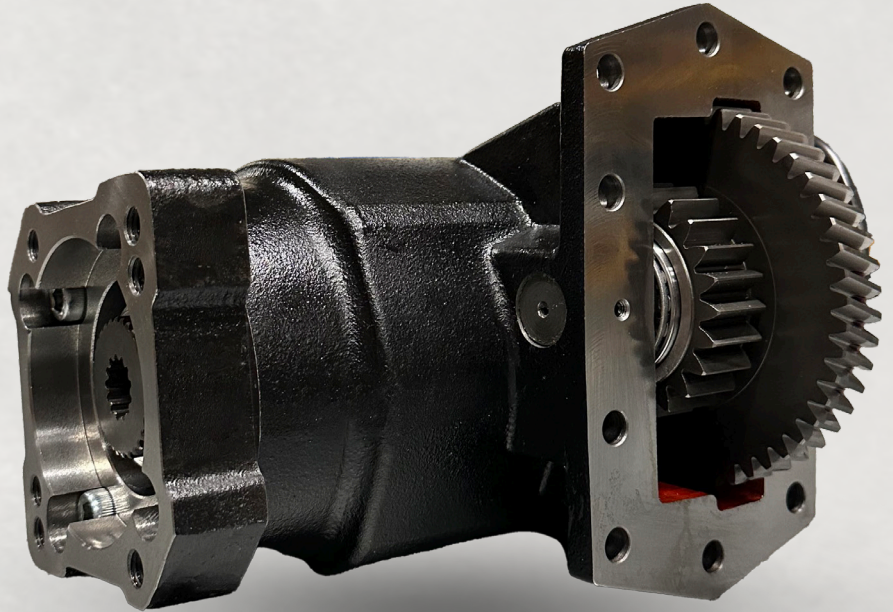
ALS 10C SERIES

APPLICATIONS

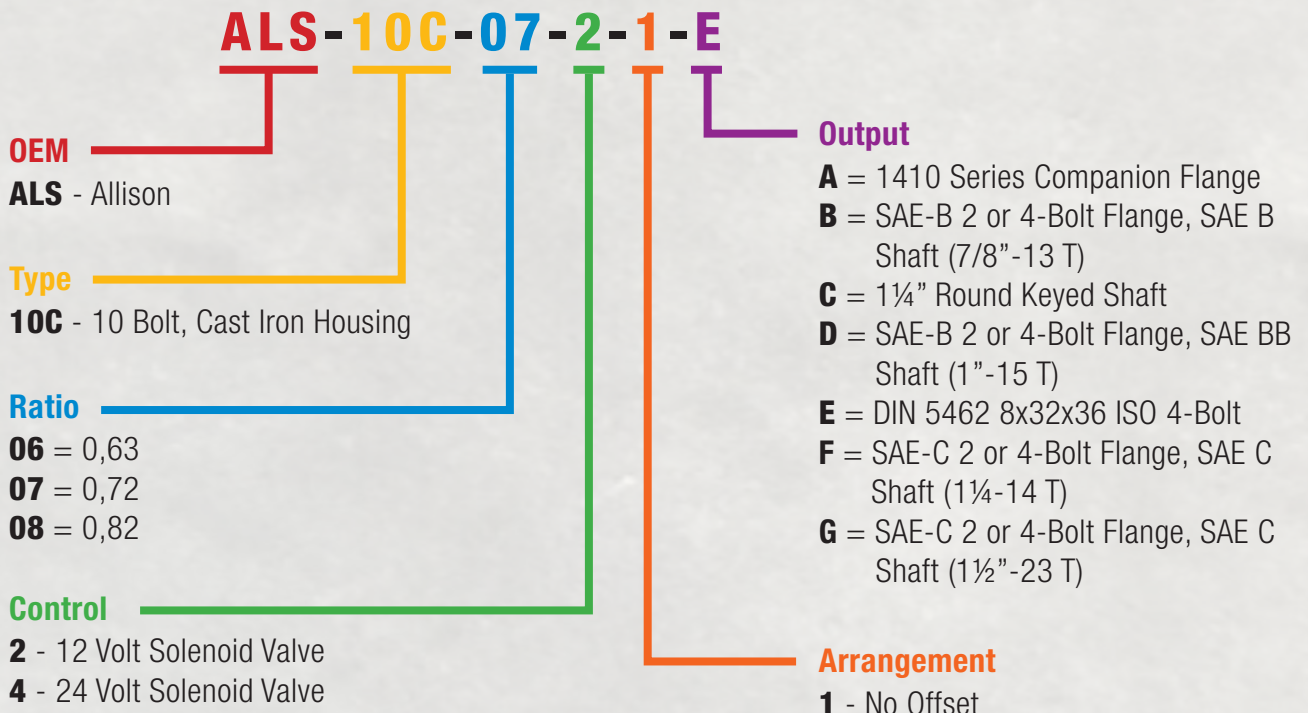
FIRE & RESCUE
 PUMPER CLEANER
 TRUCK CRANES
 REFUSE

TRANSMISSION CODE

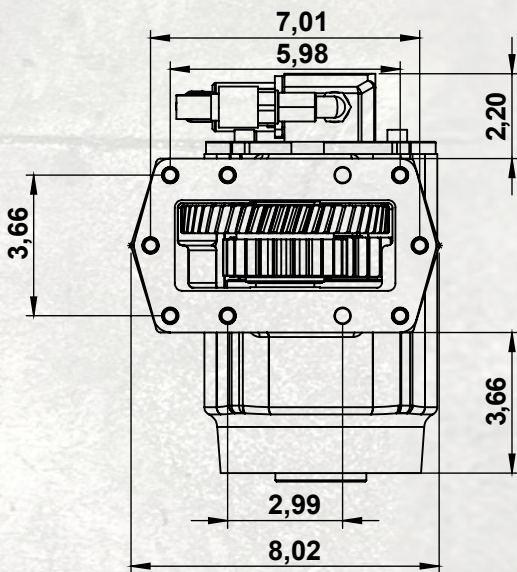
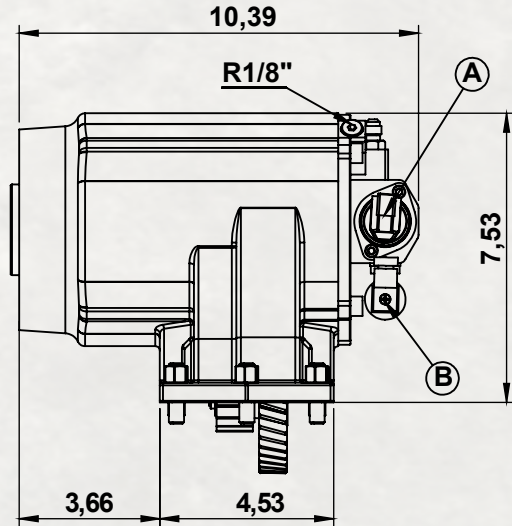
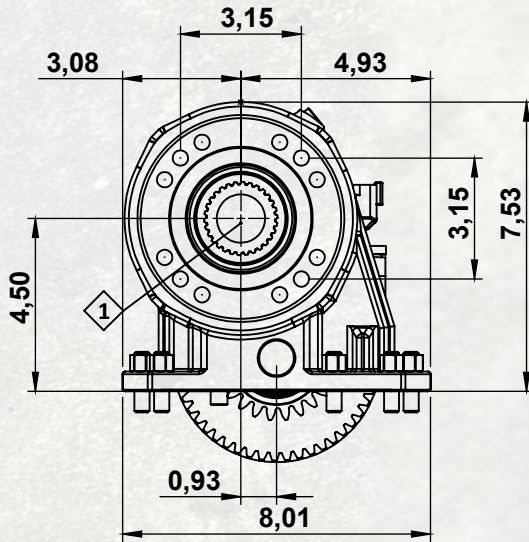
MD 3000 / 3060 / 3070
 3560 / 3066 / 3566
 HD 4060 4070 / 4076 /4560



ALS 10C SERIES PTO MODEL NUMBER DESIGNATOR & SPECIFICATIONS



ALS-10C SERIES TECHNICAL DETAILS

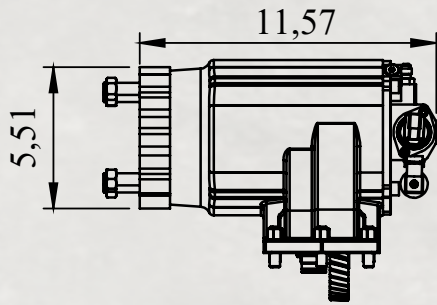


◇ 1	Universal Out
Ⓐ	Solenoid Valve
Ⓑ	Enabled-Disabled Sensor

Max Working RPM : 2000
Optimum Working Temp. : 25-80°C
Short-term Working Temp. : 80-90°C
Risking Working Temp. : Over 90°C
Body Material : US 70-50-05
Weight : 55-65 lbs
<i>*Varies Depending on Output Type*</i>

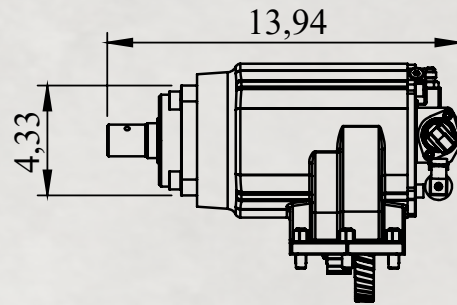


OUTPUT OPTIONS



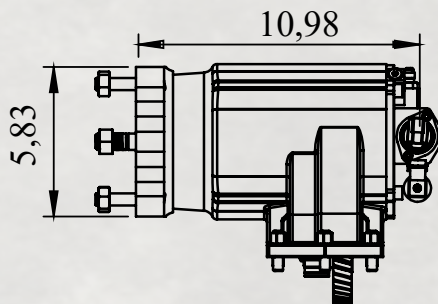
B-D Type Output

SAE-B & SAE-BB 2
or 4-Bolt Flange



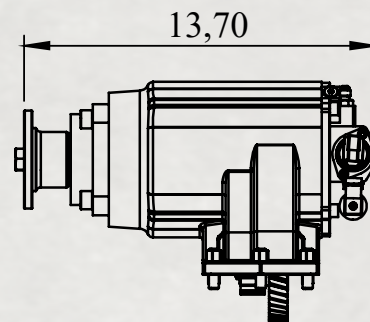
C Type Output

1¼" Round Keyed Shaft



F-G Type Output

SAE-C & SAE-CC 2
or 4-Bolt Flange

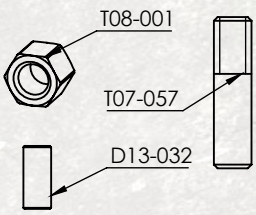
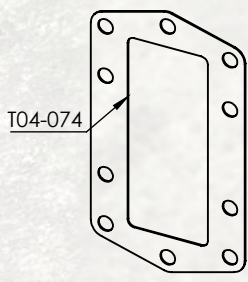
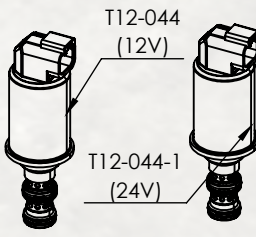
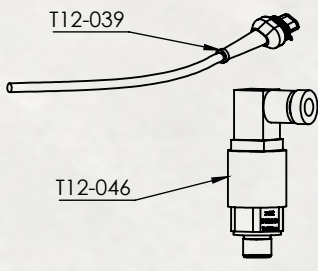



A Type Output

1410 Companion Flange

	ALS-10C*06	ALS-10C*07	ALS-10C*08
Con. Torque Rating (lb-ft)	390	360	340
Power @ 1000RPM (HP)	74	69	65

ACCESSORIES

<p>Transmission Mounting Parts</p>  <table border="1" style="width: 100%; border-collapse: collapse; margin-top: 10px;"> <thead> <tr> <th></th> <th>Code</th> <th>Qty</th> </tr> </thead> <tbody> <tr> <td>1</td> <td>T08-001</td> <td>8</td> </tr> <tr> <td>2</td> <td>T07-057</td> <td>8</td> </tr> <tr> <td>3</td> <td>D13-032</td> <td>2</td> </tr> </tbody> </table>		Code	Qty	1	T08-001	8	2	T07-057	8	3	D13-032	2	<p>Transmission Gasket</p>  <table border="1" style="width: 100%; border-collapse: collapse; margin-top: 10px;"> <thead> <tr> <th></th> <th>Code</th> <th>Qty</th> </tr> </thead> <tbody> <tr> <td>4</td> <td>T04-074</td> <td>1</td> </tr> </tbody> </table>		Code	Qty	4	T04-074	1	<p>Valve</p>  <p style="text-align: center;">Option</p> <table border="1" style="width: 100%; border-collapse: collapse; margin-top: 5px;"> <thead> <tr> <th></th> <th>Code</th> <th>Qty</th> </tr> </thead> <tbody> <tr> <td>5</td> <td>T12-044</td> <td>1</td> </tr> <tr> <td>6T</td> <td>T12-044-1</td> <td></td> </tr> </tbody> </table>		Code	Qty	5	T12-044	1	6T	T12-044-1		<p>Sensor and Connector</p>  <table border="1" style="width: 100%; border-collapse: collapse; margin-top: 10px;"> <thead> <tr> <th></th> <th>Code</th> <th>Qty</th> </tr> </thead> <tbody> <tr> <td>7</td> <td>T12-039</td> <td>1</td> </tr> <tr> <td>8</td> <td>T12-046</td> <td>1</td> </tr> </tbody> </table>		Code	Qty	7	T12-039	1	8	T12-046	1
	Code	Qty																																					
1	T08-001	8																																					
2	T07-057	8																																					
3	D13-032	2																																					
	Code	Qty																																					
4	T04-074	1																																					
	Code	Qty																																					
5	T12-044	1																																					
6T	T12-044-1																																						
	Code	Qty																																					
7	T12-039	1																																					
8	T12-046	1																																					
<p>Hose</p>  <table border="1" style="width: 100%; border-collapse: collapse; margin-top: 10px;"> <thead> <tr> <th></th> <th>Code</th> <th>Qty</th> </tr> </thead> <tbody> <tr> <td>9</td> <td>T13-034</td> <td>1</td> </tr> <tr> <td>10</td> <td>HRT-103</td> <td>1</td> </tr> </tbody> </table>					Code	Qty	9	T13-034	1	10	HRT-103	1																											
	Code	Qty																																					
9	T13-034	1																																					
10	HRT-103	1																																					

No	Code	Description	No	Code	Description
1	T08-001	M10 REINFORCED NUT 8*8	6	T12-044-1	ALLISON SOLENOID VALVE 24V (SV90-G39S0-G-24ER-Z-T)
2	T07-057	M10X40 STUD	7	T12-039	Sender Connector (OIL SENDER SOCKET)
3	D13-032	Ø11x25 CENTERING PIN	8	T12-046	ALLISON OIL PRESSURE SENDER (FOX F4S1/M2 1>12 bars)
4	T04-074	ALLISON FACE GASKET	9	T13-034	7/16X7/16 OIL FITTING (ELBOW)
5	T12-044	ALLISON SOLENOID VALVE 12V (SV90-G39S0-G-24ER-Z-T)	10	HRT-103	7/16" - 7/16" 80cm hydraulic 3/16" hose (ALS.3060)

 www.toracompany.com
 sales@toracompany.com
 11417 IL 19, Franklin Park, IL 60131
 (630) 785-2410
 (331) 688-4947



toracompany



tora.company



www.toracompany.com

