

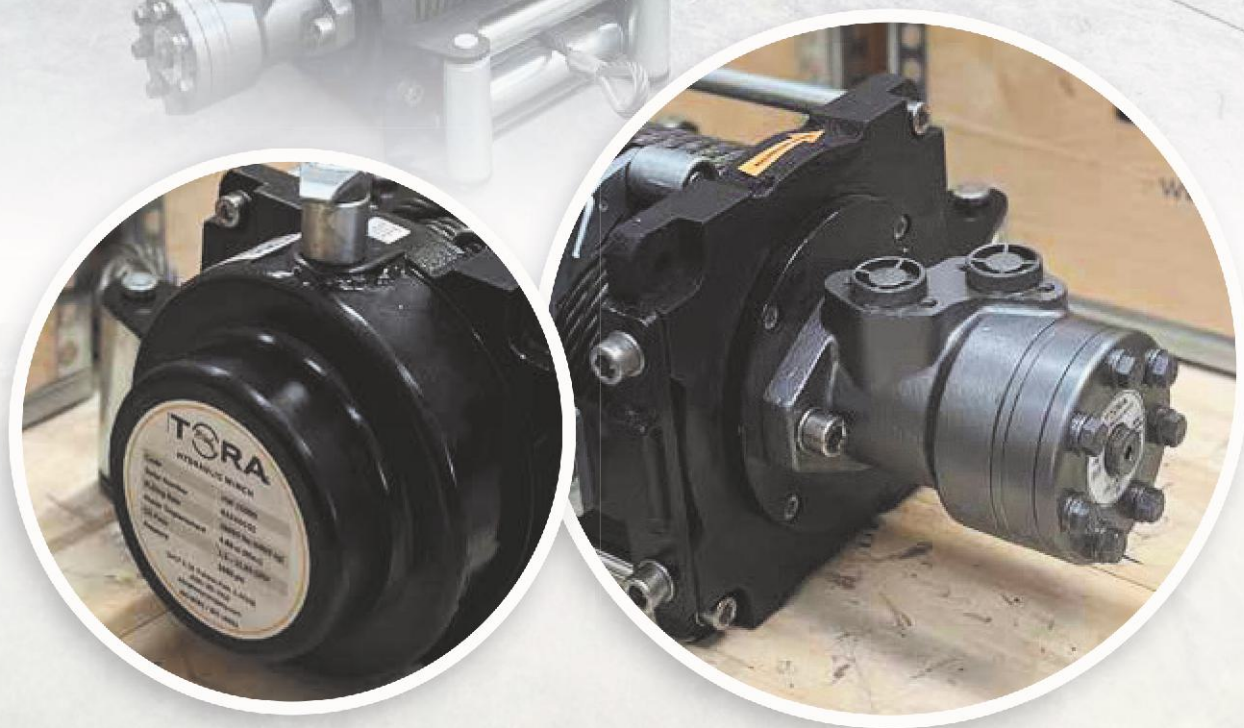


HYDRAULIC WINCH TECHNICAL CATALOG



YOUR
IS OUR **SUCCESS**





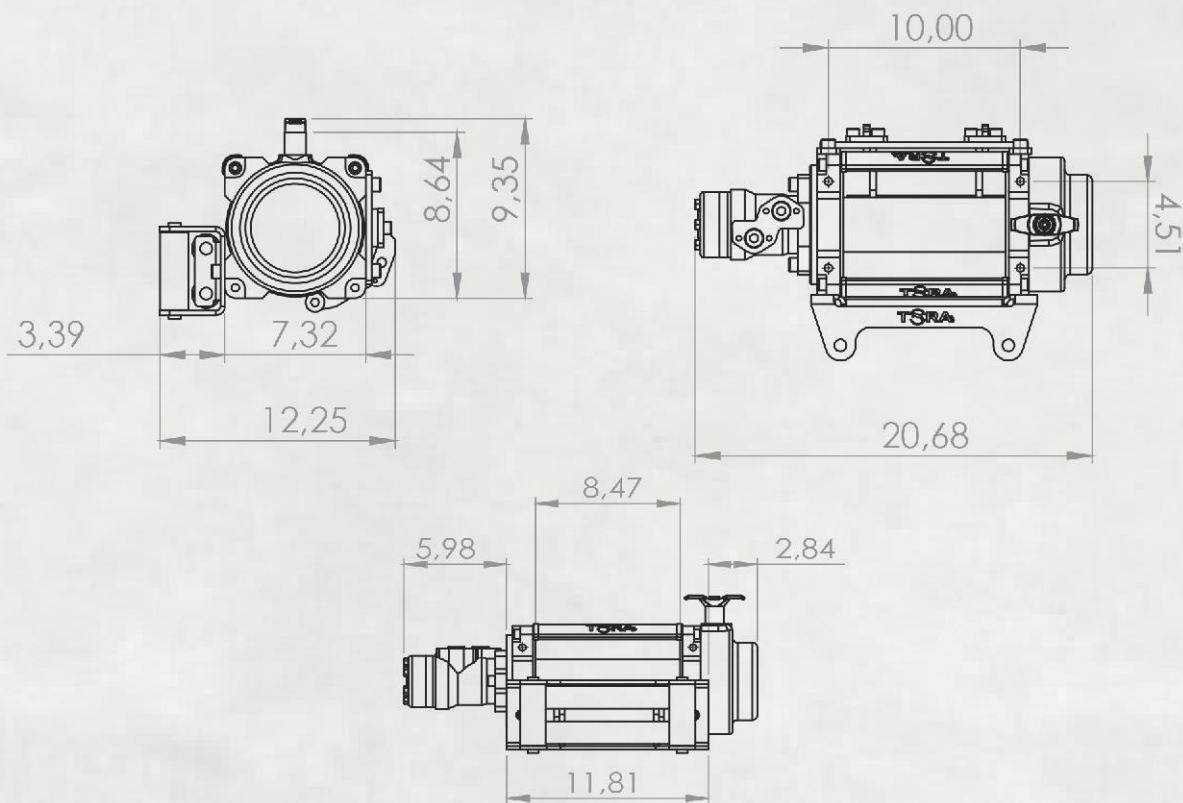
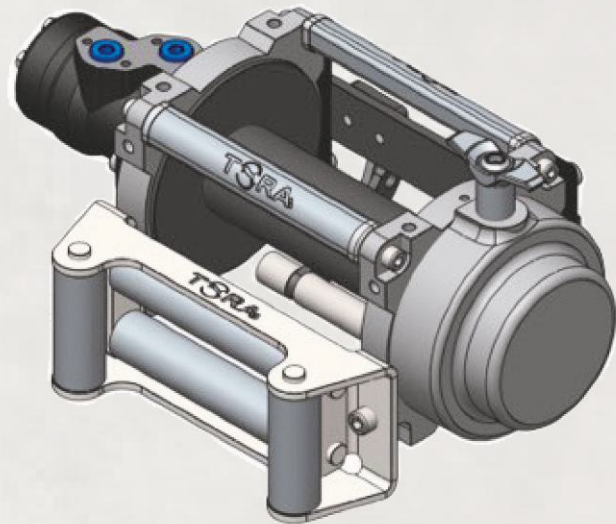
HW SERIES HYDRAULIC WINCHES FEATURES

- » High-strength, long-lasting steel body
- » Extra reinforced planetary gear system with special steel heat treatment
- » Lightweight and powerful design
- » Standard winch guide system and rope stabiliser
- » Manual winch discharge system provided as standard
- » High torque hydromotor



HW-10000

- High-strength, long-lasting steel body
- Extra reinforced planetary gear system with special steel heat treatment
- Lightweight and powerful design
- Standard winch guide system and rope stabiliser
- Manual winch discharge system provided as standard
- High torque hydromotor

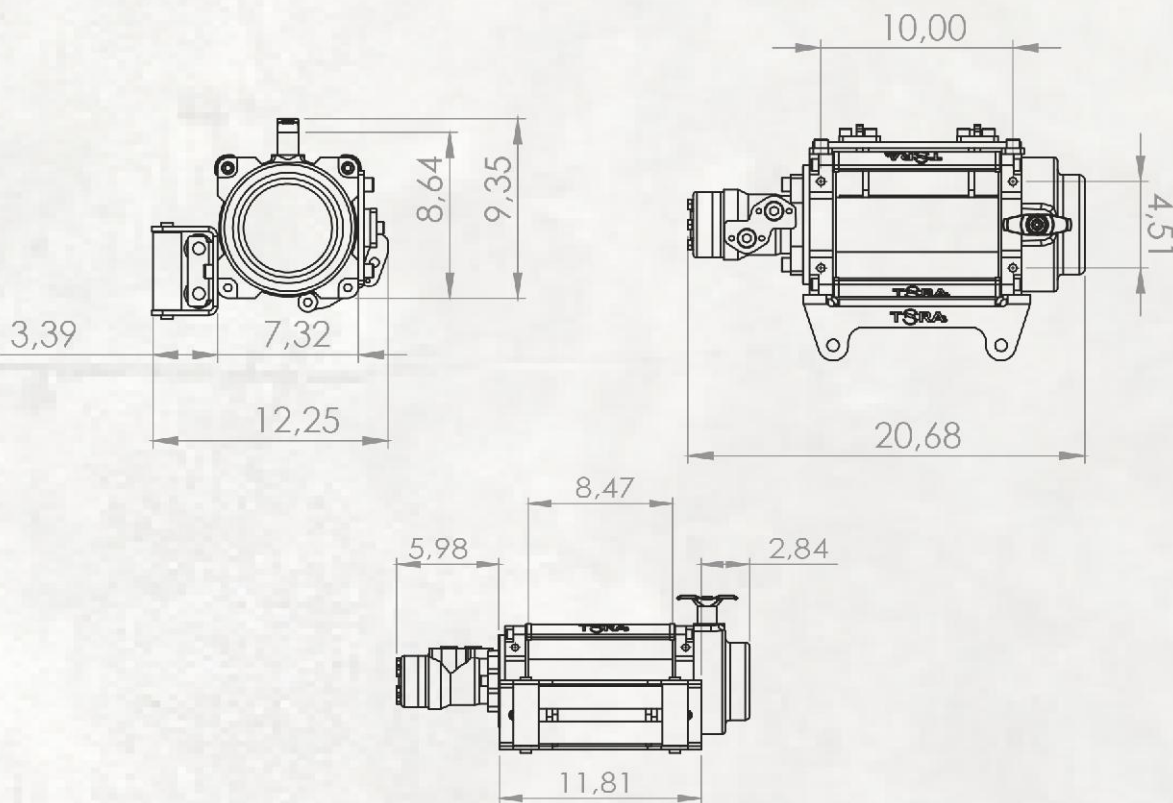
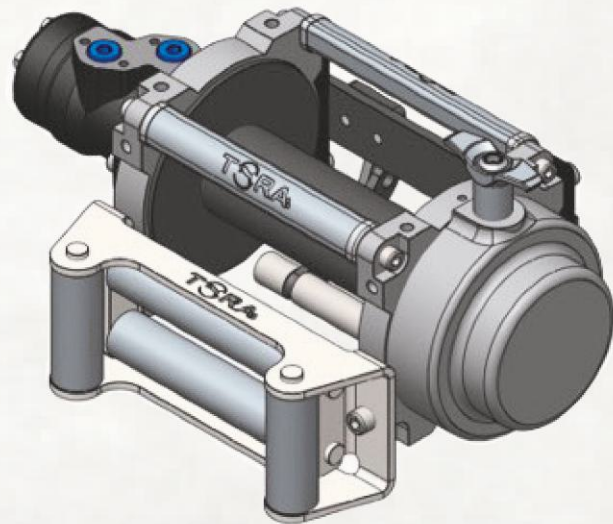


| | |
|-----------------------------------|-----------------|
| Maximum Pulling Force | 10000 lbs |
| Maximum Rope Diameter | 25/64" |
| Maximum Pump Flow | 1.3 ~ 11.88 gpm |
| Maximum Operating Pressure | 1668 psi |
| Weight | 143 lbs |

| Rope Winding Count | Pulling Capacity lbs |
|---------------------------|-----------------------------|
| 1 | 10000 |
| 2 | 8012 |
| 3 | 6683 |
| 4 | 5732 |

HW-12000

- High-strength, long-lasting steel body
- Extra reinforced planetary gear system with special steel heat treatment
- Lightweight and powerful design
- Standard winch guide system and rope stabiliser
- Manual winch discharge system provided as standard
- High torque hydromotor

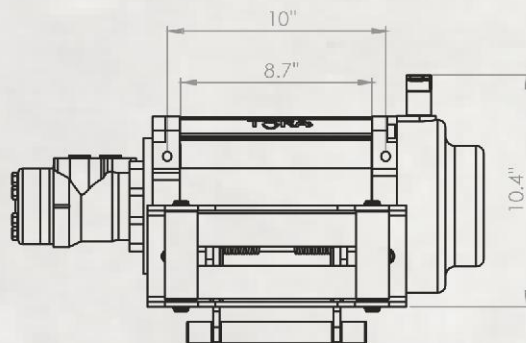
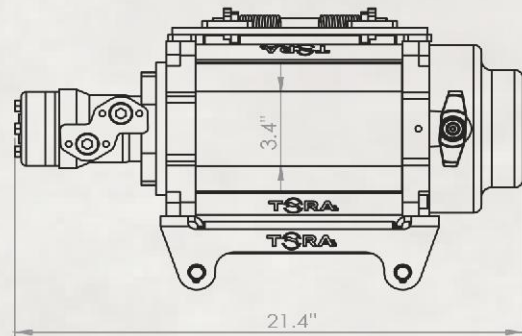
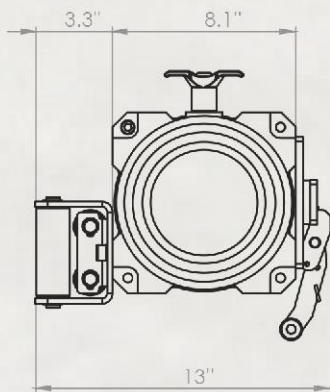
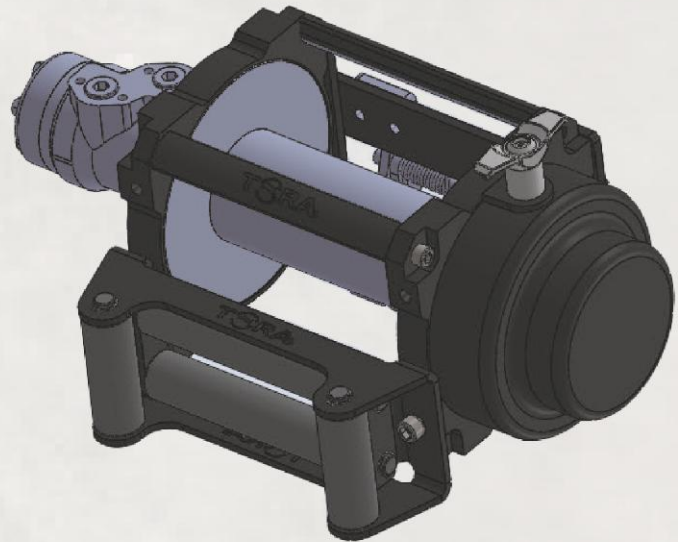


| | |
|-----------------------------------|-----------------|
| Maximum Pulling Force | 12000 lbs |
| Maximum Rope Diameter | 15/32" |
| Maximum Pump Flow | 1.3 ~ 11.88 gpm |
| Maximum Operating Pressure | 2030 psi |
| Weight | 143 lbs |

| Rope Winding Count | Pulling Capacity lbs |
|---------------------------|-----------------------------|
| 1 | 12000 |
| 2 | 10595 |
| 3 | 9485 |
| 4 | 7904 |

HW-15000

- High-strength, long-lasting steel body
- Extra reinforced planetary gear system with special steel heat treatment
- Lightweight and powerful design
- Standard winch guide system and rope stabiliser
- Manual winch discharge system provided as standard
- High torque hydromotor



| | |
|-----------------------------------|-----------------|
| Maximum Pulling Force | 15000 lbs |
| Maximum Rope Diameter | 15/32" |
| Maximum Pump Flow | 1.3 ~ 15.85 gpm |
| Maximum Operating Pressure | 1885 psi |
| Weight | 152lbs |

| Rope Winding Count | Pulling Capacity lbs |
|---------------------------|-----------------------------|
| 1 | 15000 |
| 2 | 12120 |
| 3 | 10168 |
| 4 | 8757 |

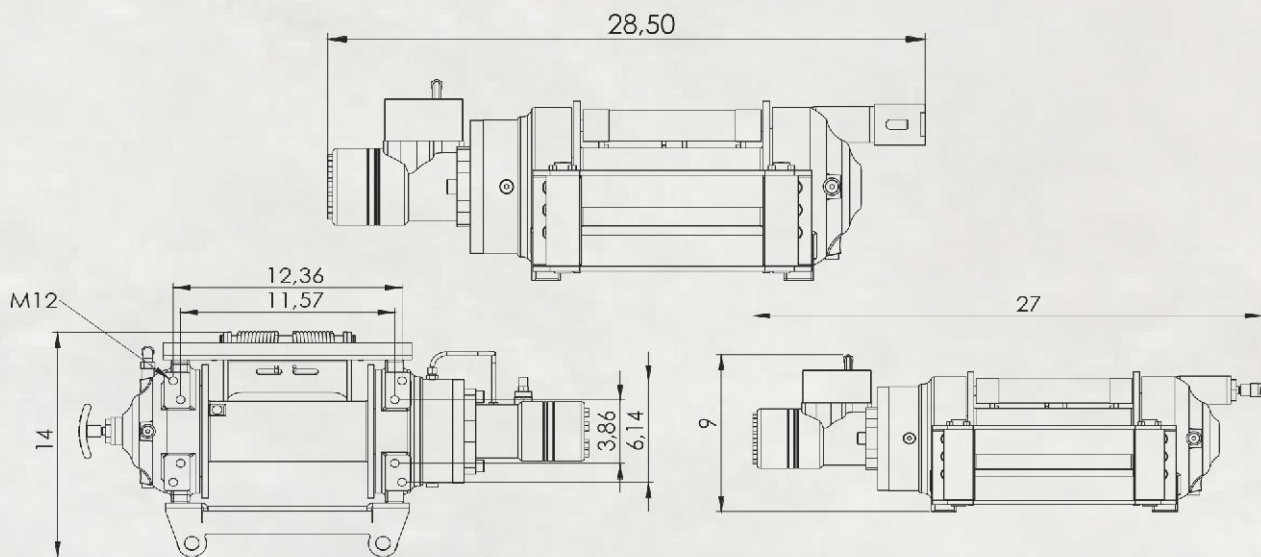
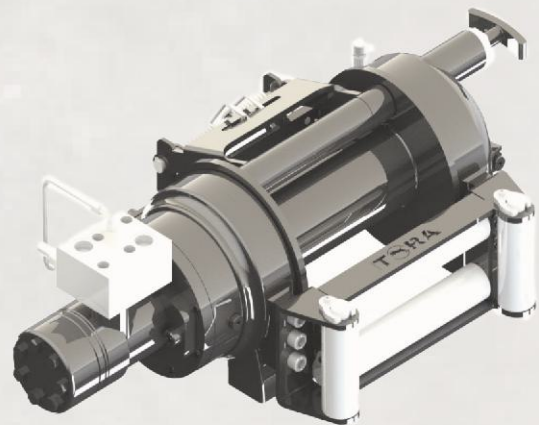


THW SERIES HYDRAULIC WINCHES FEATURES

- » High-strength, long-lasting steel body
- » Extra reinforced planetary gear system with special steel heat treatment
- » Lightweight and powerful design
- » 100% negative effective hydraulic disc brake system
- » Standard winch guide system and rope stabiliser
- » Manual winch discharge system provided as standard
- » High torque hydromotor



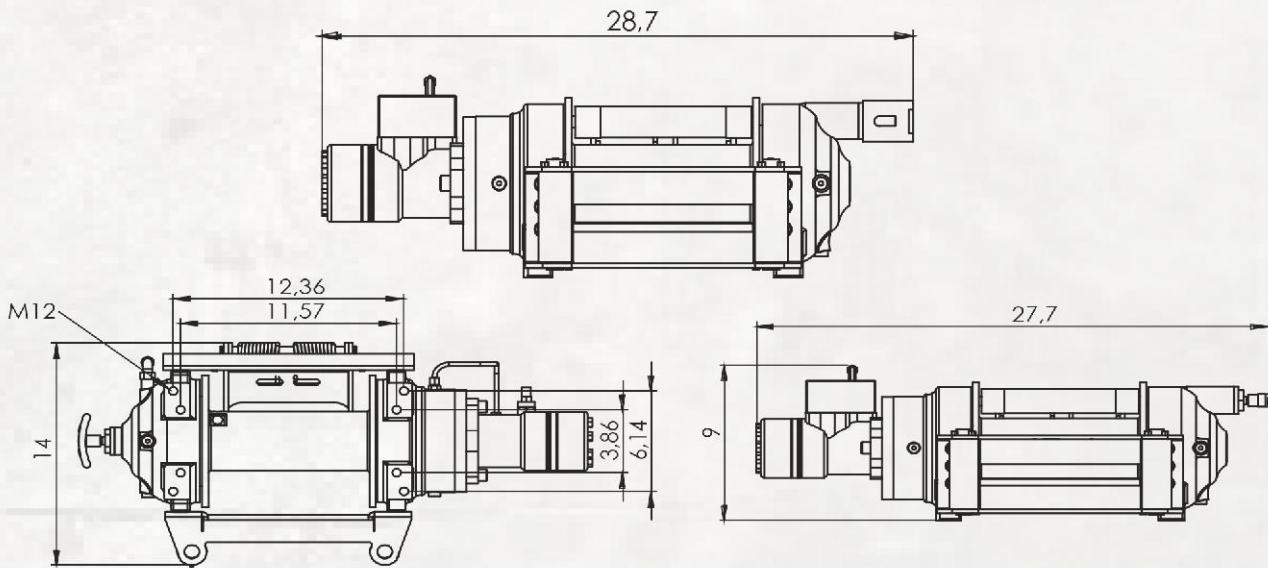
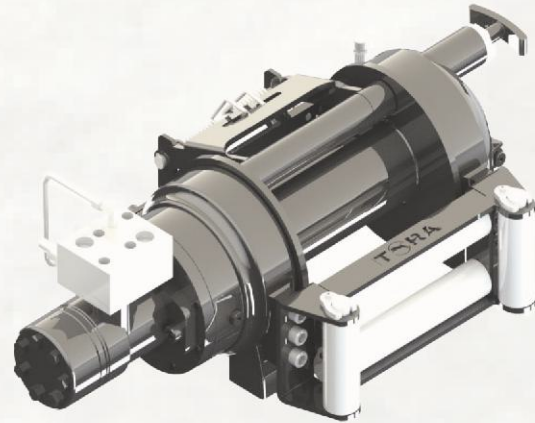
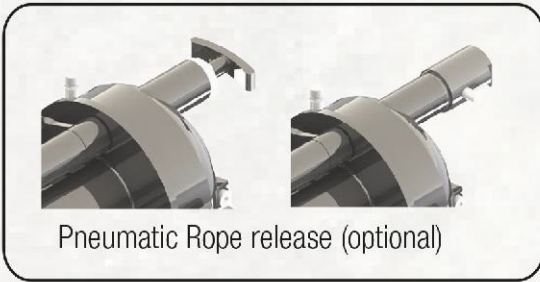
THW-8K



| Rope Winding Count | Pulling Capacity lbs | Winding Speed ft-min | Rope Length ft |
|--------------------|----------------------|----------------------|----------------|
| 1 | 8000 | 58 | 22 |
| 2 | 6700 | 64 | 47 |
| 3 | 5776 | 71 | 74 |
| 4 | 5070 | 77 | 103 |
| 5 | 4523 | 83 | 134 |

| | |
|-------------------------------------|---------------------|
| Maximum Pulling Force | 8000 lbs |
| Maximum Rope Diameter | 3/8" |
| Maximum Pump Flow | 15.8 gpm |
| Maximum Operating Pressure | 1740 psi |
| Recommended Gear Oil Product | 80w 90 - 23.6 fl oz |
| Weight | 138 lbs |
| Maximum Rope Length | 134 ft |
| Hydromotor | 12 in ³ |
| Gear Ratio | 5/1 |

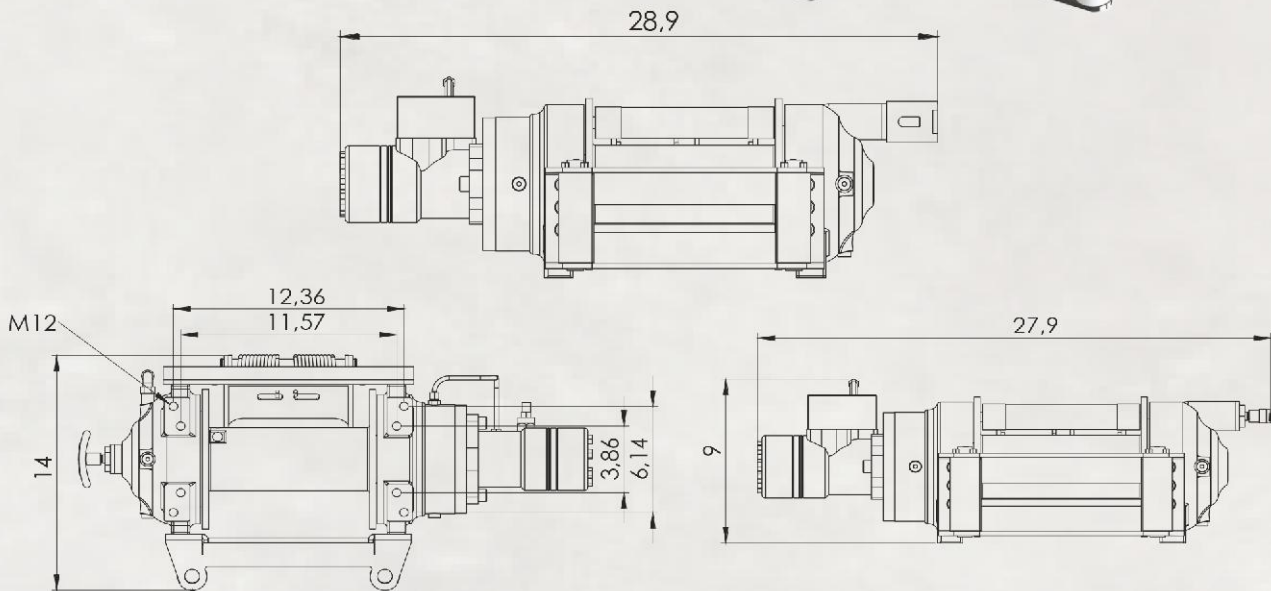
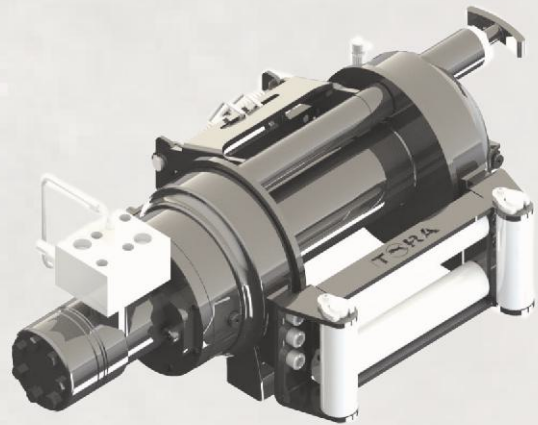
THW-10K



| Rope Winding Count | Pulling Capacity lbs | Winding Speed ft-min | Rope Length ft |
|--------------------|----------------------|----------------------|----------------|
| 1 | 10000 | 47 | 22 |
| 2 | 8370 | 52 | 47 |
| 3 | 7215 | 57 | 74 |
| 4 | 6342 | 62 | 103 |
| 5 | 5657 | 66 | 134 |

| | |
|-------------------------------------|---------------------|
| Maximum Pulling Force | 10000 lbs |
| Maximum Rope Diameter | 3/8" |
| Maximum Pump Flow | 15.8 gpm |
| Maximum Operating Pressure | 2030 psi |
| Recommended Gear Oil Product | 80w 90 - 23.6 fl oz |
| Weight | 141 lbs |
| Maximum Rope Length | 134 ft |
| Hydromotor | 15 in ³ |
| Gear Ratio | 5/1w |

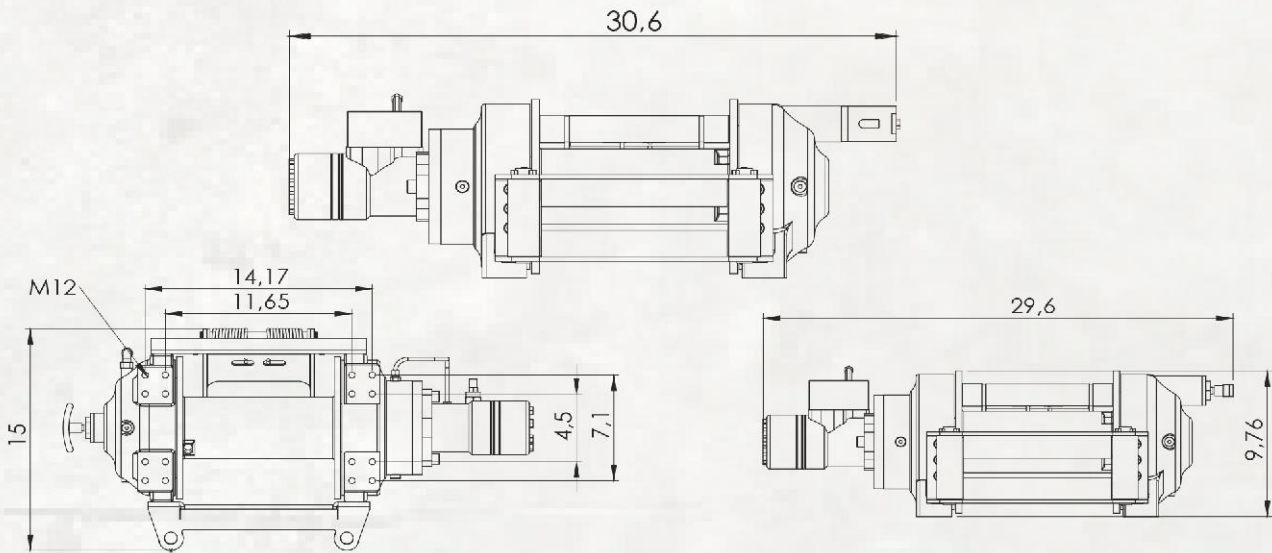
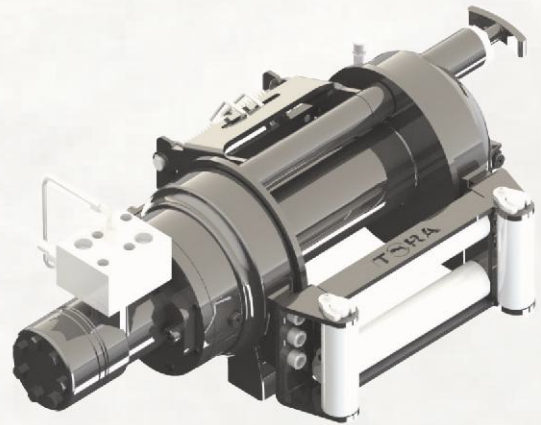
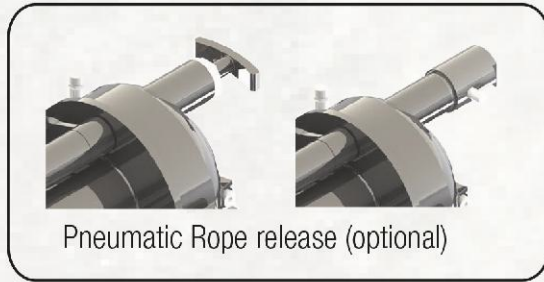
THW-12K



| Rope Winding Count | Pulling Capacity lbs | Winding Speed ft-min | Rope Length ft |
|--------------------|----------------------|----------------------|----------------|
| 1 | 12000 | 37 | 19 |
| 2 | 9920 | 41 | 40 |
| 3 | 8510 | 46 | 63 |
| 4 | 7360 | 50 | 88 |
| 5 | 6494 | 55 | 116 |

| | |
|-------------------------------------|----------------------|
| Maximum Pulling Force | 12000 lbs |
| Maximum Rope Diameter | 1/2" |
| Maximum Pump Flow | 15.8 gpm |
| Maximum Operating Pressure | 1885 psi |
| Recommended Gear Oil Product | 80w 90 - 23.6 fl oz |
| Weight | 143 lbs |
| Maximum Rope Length | 116 ft |
| Hydromotor | 19.2 in ³ |
| Gear Ratio | 5/1 |

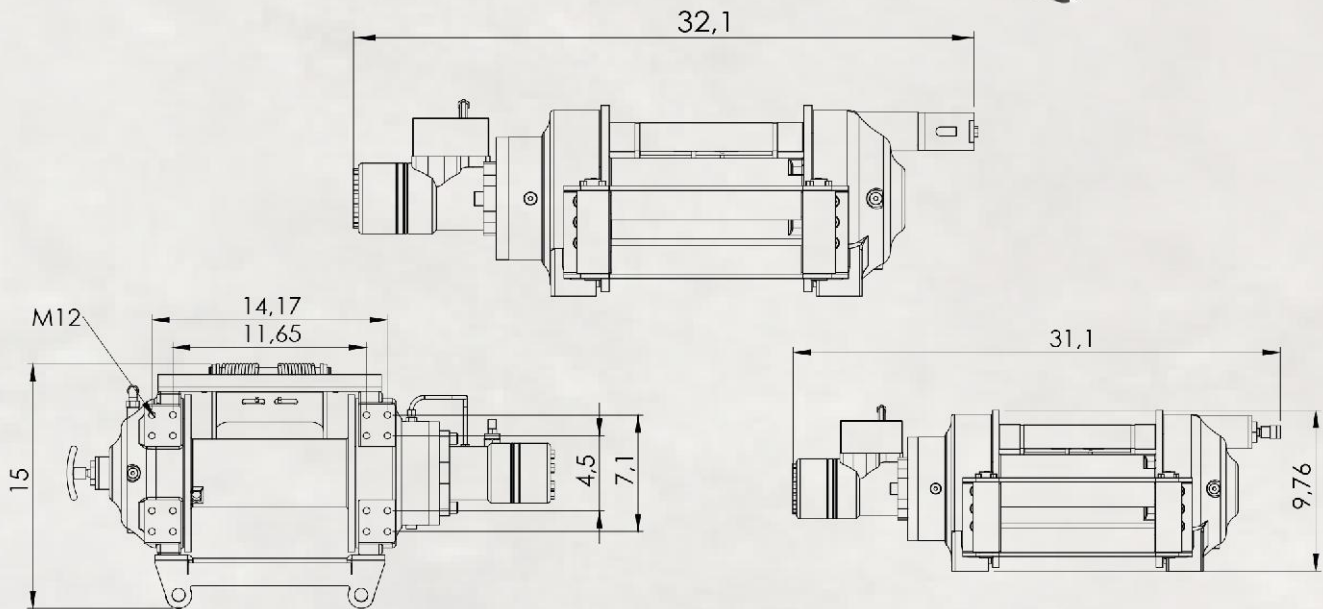
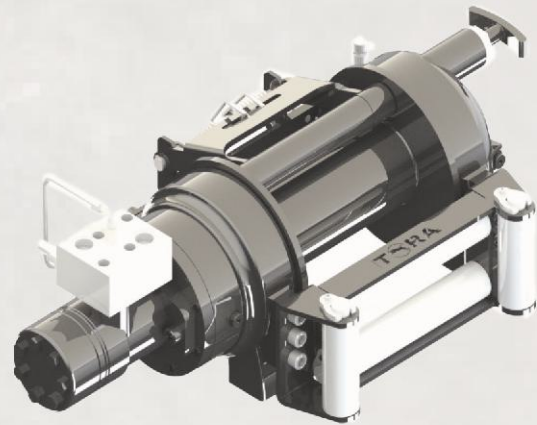
THW-15K



| Rope Winding Count | Pulling Capacity lbs | Winding Speed ft-min | Rope Length ft |
|--------------------|----------------------|----------------------|----------------|
| 1 | 15000 | 34 | 22 |
| 2 | 12425 | 38 | 48 |
| 3 | 10617 | 41 | 75 |
| 4 | 9268 | 45 | 106 |
| 5 | 8223 | 49 | 139 |
| 6 | 7392 | 53 | 173 |

| | |
|-------------------------------------|----------------------|
| Maximum Pulling Force | 15000 lbs |
| Maximum Rope Diameter | 1/2" |
| Maximum Pump Flow | 15.8 gpm |
| Maximum Operating Pressure | 2248 psi |
| Recommended Gear Oil Product | 80w 90 - 27 fl oz |
| Weight | 180 lbs |
| Maximum Rope Length | 173 ft |
| Hydromotor | 19.2 in ³ |
| Gear Ratio | 6/1 |

THW-16K



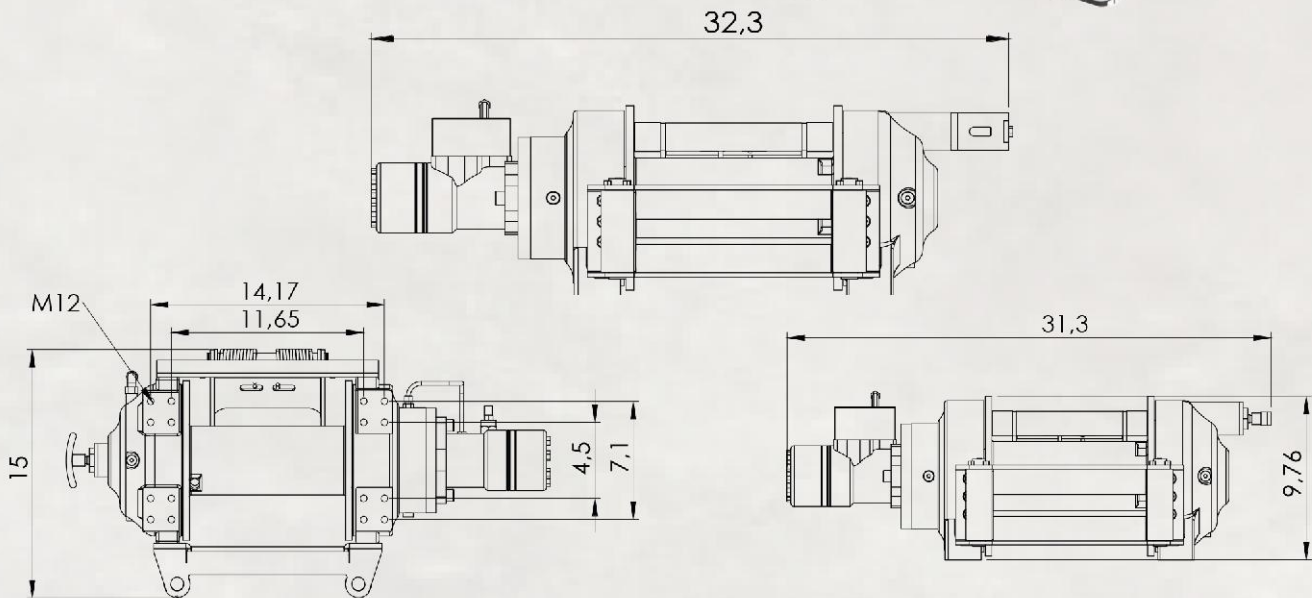
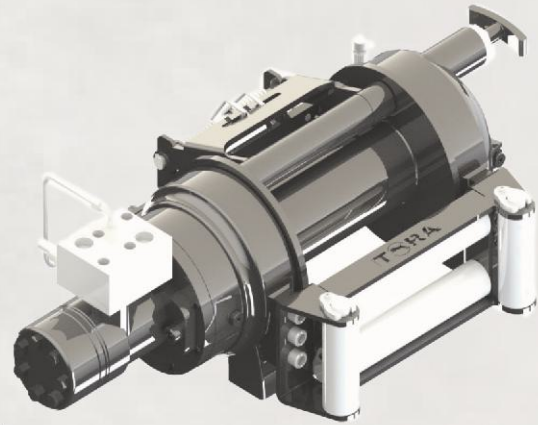
| Rope Winding Count | Pulling Capacity lbs | Winding Speed ft-min | Rope Length ft |
|--------------------|----------------------|----------------------|----------------|
| 1 | 15000 | 34 | 19 |
| 2 | 12425 | 38 | 41 |
| 3 | 10617 | 43 | 66 |
| 4 | 9268 | 47 | 94 |
| 5 | 8223 | 52 | 131 |

| | |
|------------------------------|--------------------|
| Maximum Pulling Force | 16000 lbs |
| Maximum Rope Diameter | 3/9" |
| Maximum Pump Flow | 15.8 gpm |
| Maximum Operating Pressure | 2393 psi |
| Recommended Gear Oil Product | 80w 90 - 27 fl oz |
| Weight | 185 lbs |
| Maximum Rope Length | 131 ft |
| Hydromotor | 19 in ³ |
| Gear Ratio | 6/1 |

THW-18K



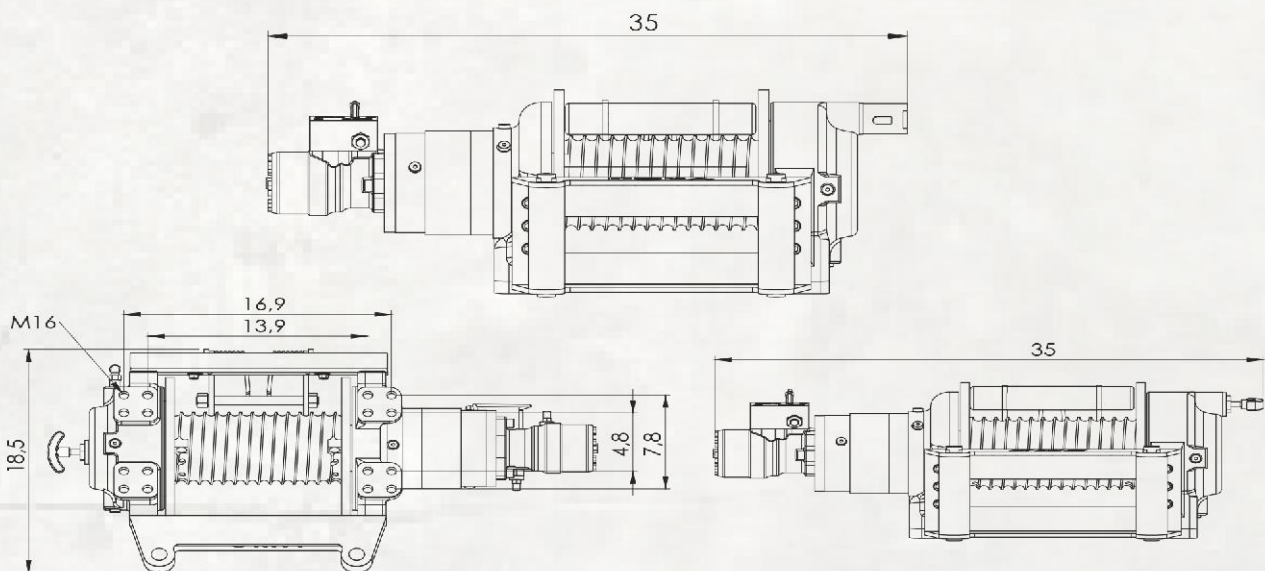
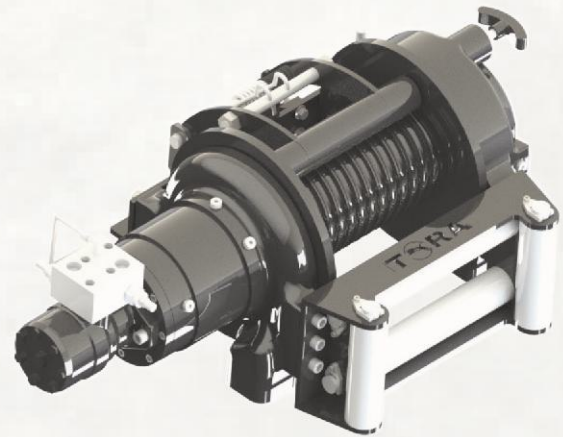
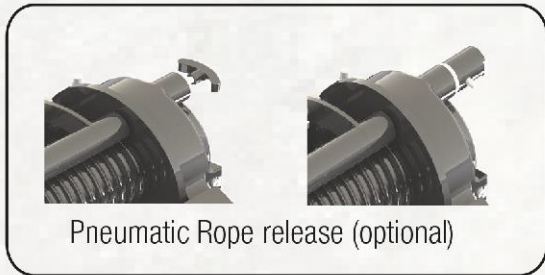
Pneumatic Rope release (optional)



| Rope Winding Count | Pulling Capacity lbs | Winding Speed ft-min | Rope Length ft |
|--------------------|----------------------|----------------------|----------------|
| 1 | 18000 | 27 | 19 |
| 2 | 14645 | 31 | 41 |
| 3 | 12301 | 35 | 66 |
| 4 | 10604 | 38 | 94 |
| 5 | 9318 | 41 | 131 |

| | |
|-------------------------------------|--------------------|
| Maximum Pulling Force | 18000 lbs |
| Maximum Rope Diameter | 3/9" |
| Maximum Pump Flow | 15.8 gpm |
| Maximum Operating Pressure | 2175 psi |
| Recommended Gear Oil Product | 80w 90 - 27 fl oz |
| Weight | 187 lbs |
| Maximum Rope Length | 131 ft |
| Hydromotor | 24 in ³ |
| Gear Ratio | 6/1 |

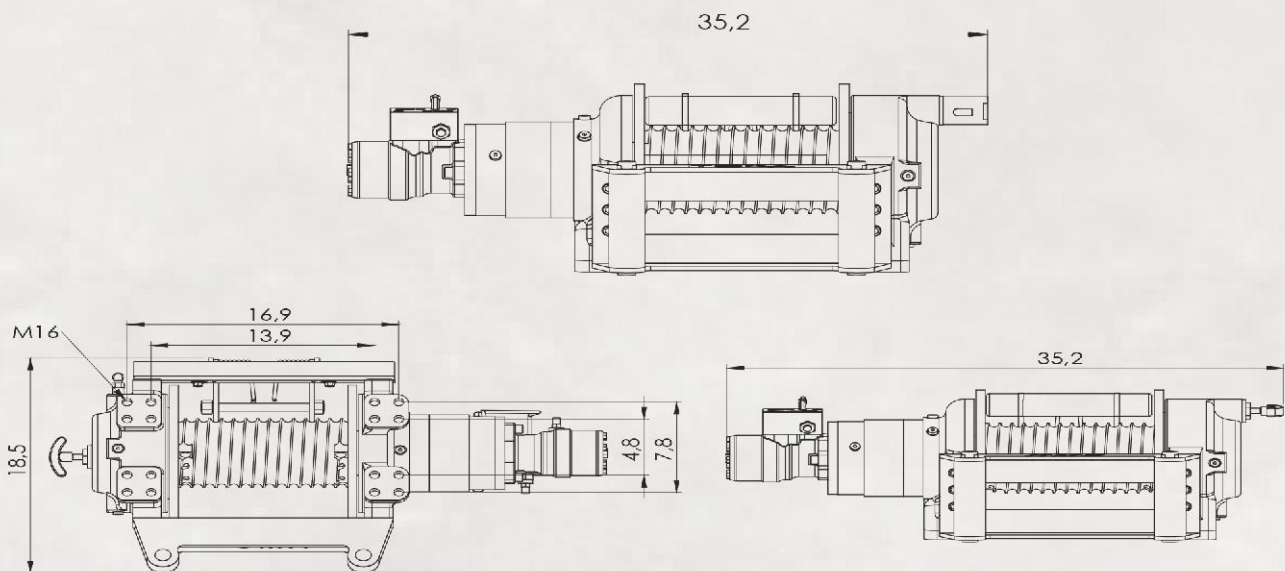
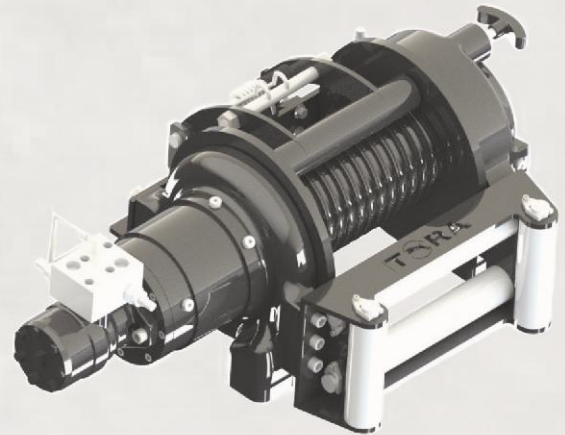
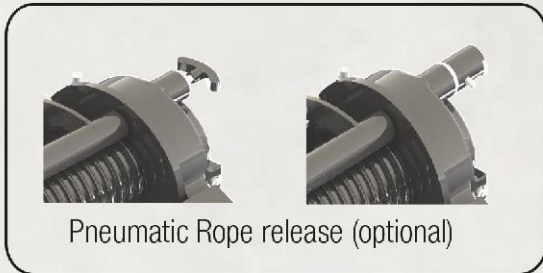
THW-22K



| Rope Winding Count | Pulling Capacity lbs | Winding Speed ft-min | Rope Length ft |
|--------------------|----------------------|----------------------|----------------|
| 1 | 22000 | 25 | 19 |
| 2 | 18346 | 28 | 43 |
| 3 | 15628 | 31 | 72 |
| 4 | 13611 | 34 | 105 |
| 5 | 12054 | 37 | 141 |

| | |
|------------------------------|---------------------|
| Maximum Pulling Force | 22000 lbs |
| Maximum Rope Diameter | 7/11" |
| Maximum Pump Flow | 15.8 gpm |
| Maximum Operating Pressure | 2346 psi |
| Recommended Gear Oil Product | 80w 90 - 33.8 fl oz |
| Weight | 330 lbs |
| Maximum Rope Length | 141 ft |
| Hydromotor | 10 in ³ |
| Gear Ratio | 21/1 |

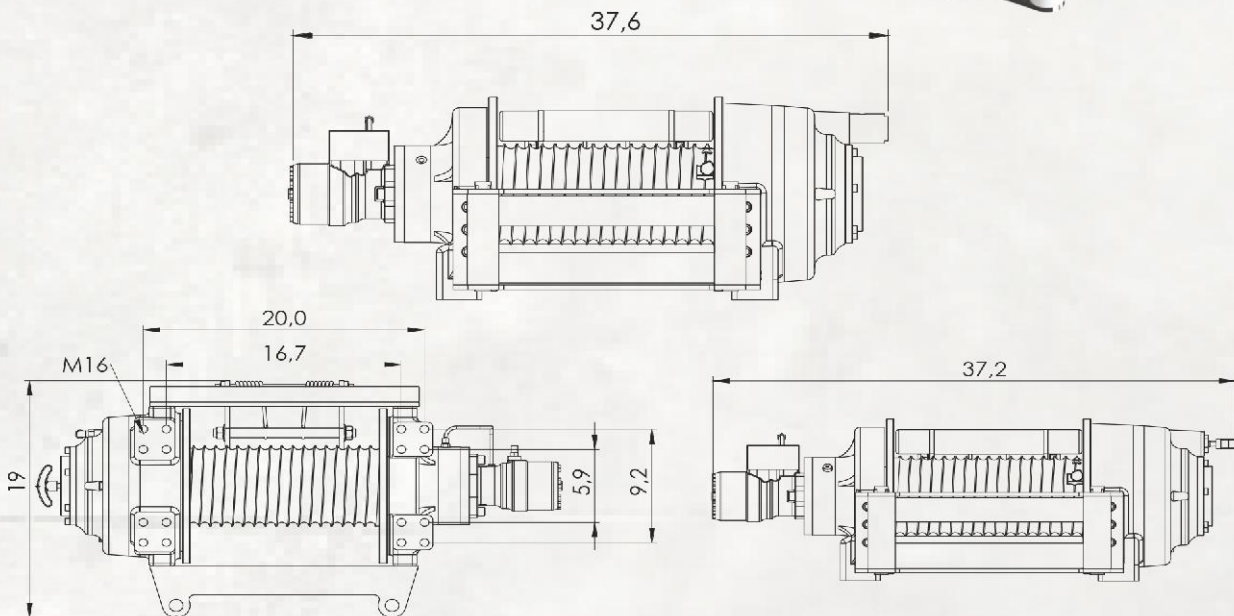
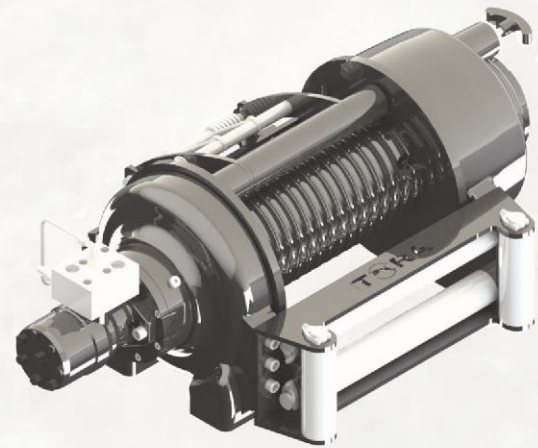
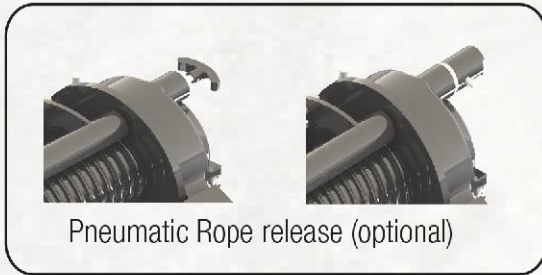
THW-26K



| Rope Winding Count | Pulling Capacity lbs | Winding Speed ft-min | Rope Length ft |
|--------------------|----------------------|----------------------|----------------|
| 1 | 26500 | 20 | 19 |
| 2 | 21841 | 22 | 43 |
| 3 | 18607 | 25 | 72 |
| 4 | 16203 | 27 | 105 |
| 5 | 14352 | 30 | 141 |

| | |
|------------------------------|--------------------|
| Maximum Pulling Force | 26500 lbs |
| Maximum Rope Diameter | 5/8" |
| Maximum Pump Flow | 15.8 gpm |
| Maximum Operating Pressure | 2320 psi |
| Recommended Gear Oil Product | 80w 90 - 34 fl oz |
| Weight | 341 lbs |
| Maximum Rope Length | 141 ft |
| Hydromotor | 12 in ³ |
| Gear Ratio | 21/1 |

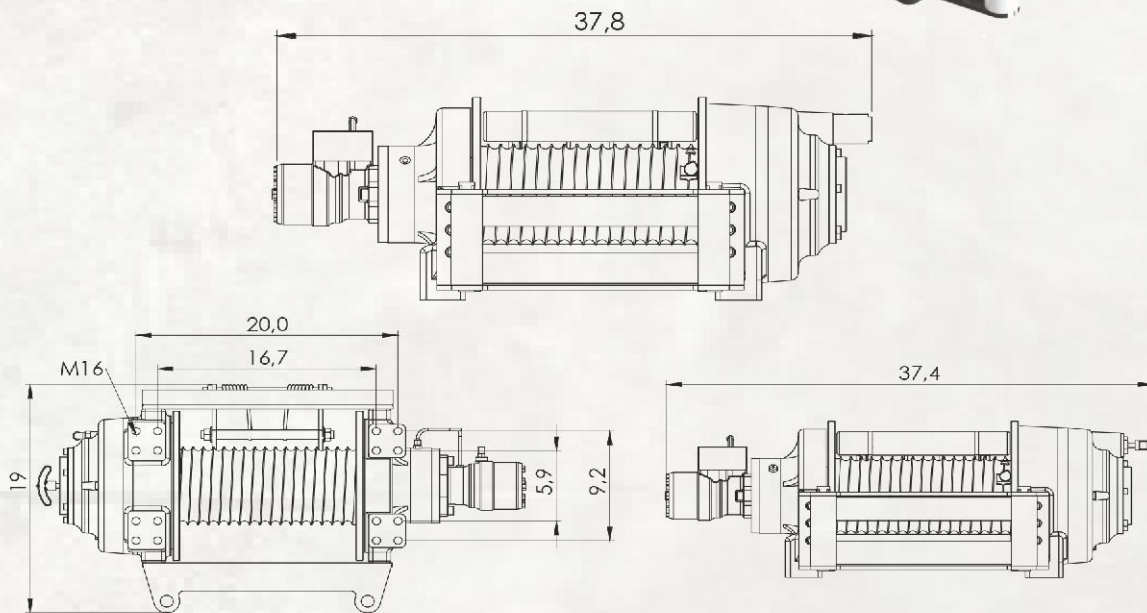
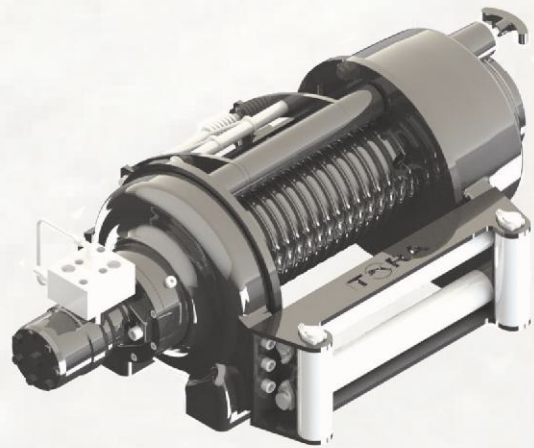
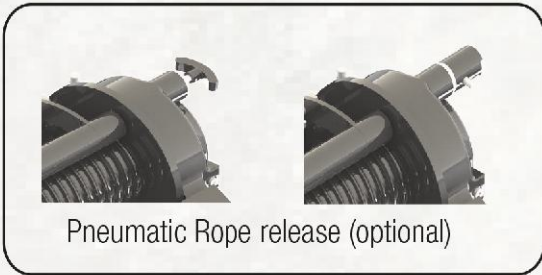
THW-33K



| Rope Winding Count | Pulling Capacity lbs | Winding Speed ft-min | Rope Length ft |
|--------------------|----------------------|----------------------|----------------|
| 1 | 33000 | 16 | 24 |
| 2 | 27844 | 18 | 55 |
| 3 | 23682 | 20 | 91 |
| 4 | 20593 | 22 | 137 |

| | |
|-------------------------------------|--------------------|
| Maximum Pulling Force | 33000 lbs |
| Maximum Rope Diameter | 45/64" |
| Maximum Pump Flow | 15.8 gpm |
| Maximum Operating Pressure | 2393 psi |
| Recommended Gear Oil Product | 80w 90 - 68 fl oz |
| Weight | 429 lbs |
| Maximum Rope Length | 137 ft |
| Hydromotor | 10 in ³ |
| Gear Ratio | 36/1 |

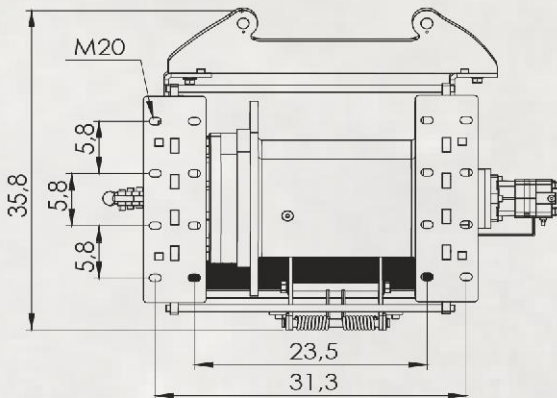
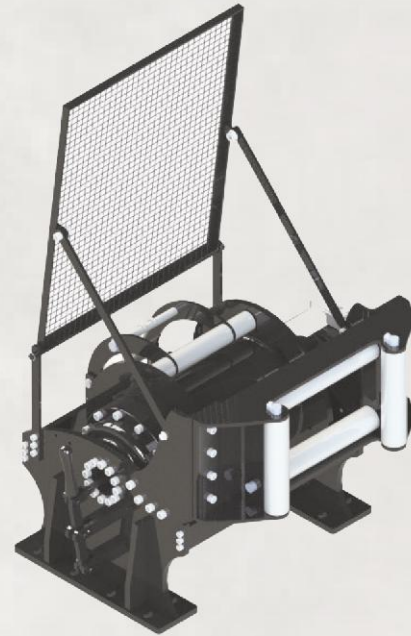
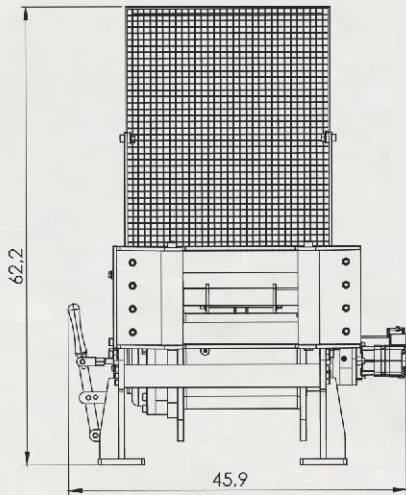
THW-40K



| Rope Winding Count | Pulling Capacity lbs | Winding Speed ft-min | Rope Length ft |
|--------------------|----------------------|----------------------|----------------|
| 1 | 40000 | 14 | 24 |
| 2 | 32716 | 15 | 55 |
| 3 | 27809 | 17 | 91 |
| 4 | 14180 | 19 | 137 |

| | |
|-------------------------------------|--------------------|
| Maximum Pulling Force | 40000 lbs |
| Maximum Rope Diameter | 45/64" |
| Maximum Pump Flow | 15.8 gpm |
| Maximum Operating Pressure | 2393 psi |
| Recommended Gear Oil Product | 80w 90 - 68 fl oz |
| Weight | 441 lbs |
| Maximum Rope Length | 137 ft |
| Hydromotor | 12 in ³ |
| Gear Ratio | 36/1 |

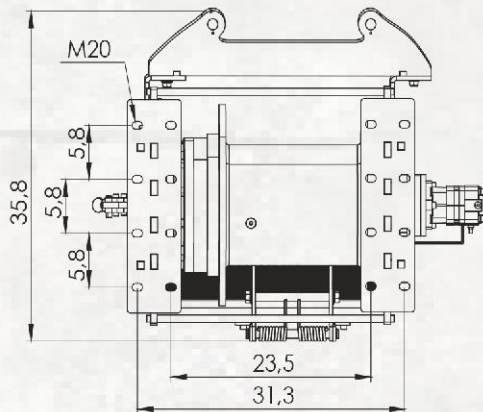
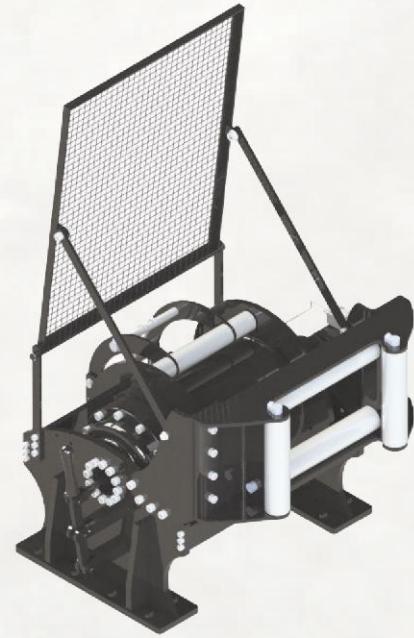
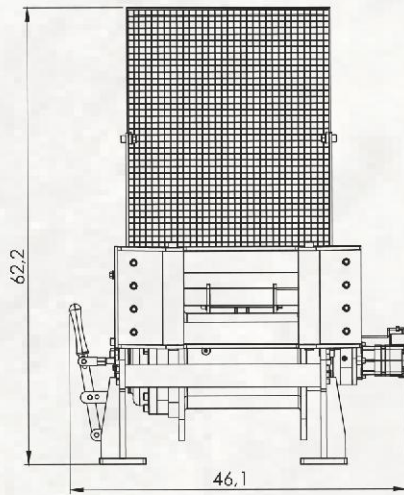
THW-66K



| | |
|-------------------------------------|---------------------|
| Maximum Pulling Force | 66000 lbs |
| Maximum Rope Diameter | 45/64" |
| Maximum Pump Flow | 19.8 gpm |
| Maximum Operating Pressure | 2393 psi |
| Recommended Gear Oil Product | 80w 90 - 135 fl oz |
| Weight | 1069 lbs |
| Maximum Rope Length | 242 ft |
| Hydromotor | 9.6 in ³ |
| Gear Ratio | 150/1 |

| Rope Winding Count | Pulling Capacity lbs | Winding Speed ft-min | Rope Length ft |
|---------------------------|-----------------------------|-----------------------------|-----------------------|
| 1 | 66000 | 11 | 54 |
| 2 | 58047 | 12 | 113 |
| 3 | 51482 | 14 | 175 |
| 4 | 45252 | 16 | 242 |

THW-77K








| | |
|-------------------------------------|--------------------|
| Maximum Pulling Force | 77000 lbs |
| Maximum Rope Diameter | 45/64" |
| Maximum Pump Flow | 19.8 gpm |
| Maximum Operating Pressure | 2248 psi |
| Recommended Gear Oil Product | 80w 90 - 135 fl oz |
| Weight | 1080 lbs |
| Maximum Rope Length | 229 ft |
| Hydromotor | 12 in ³ |
| Gear Ratio | 150/1 |

| Rope Winding Count | Pulling Capacity lbs | Winding Speed ft-min | Rope Length ft |
|---------------------------|-----------------------------|-----------------------------|-----------------------|
| 1 | 77000 | 8 | 50 |
| 2 | 67170 | 9 | 105 |
| 3 | 59167 | 10 | 166 |
| 4 | 52869 | 11 | 229 |



HYDRAULIC WINCH TECHNICAL CATALOG



 www.toracompany.com
 sales@toracompany.com
 11417 IL 19, Franklin Park, IL 60131
 (630) 785-2410
 (331) 688-4947



[toracompany](http://toracompany.com)



tora.company



www.toracompany.com



YOUR
IS OUR **SUCCESS**

