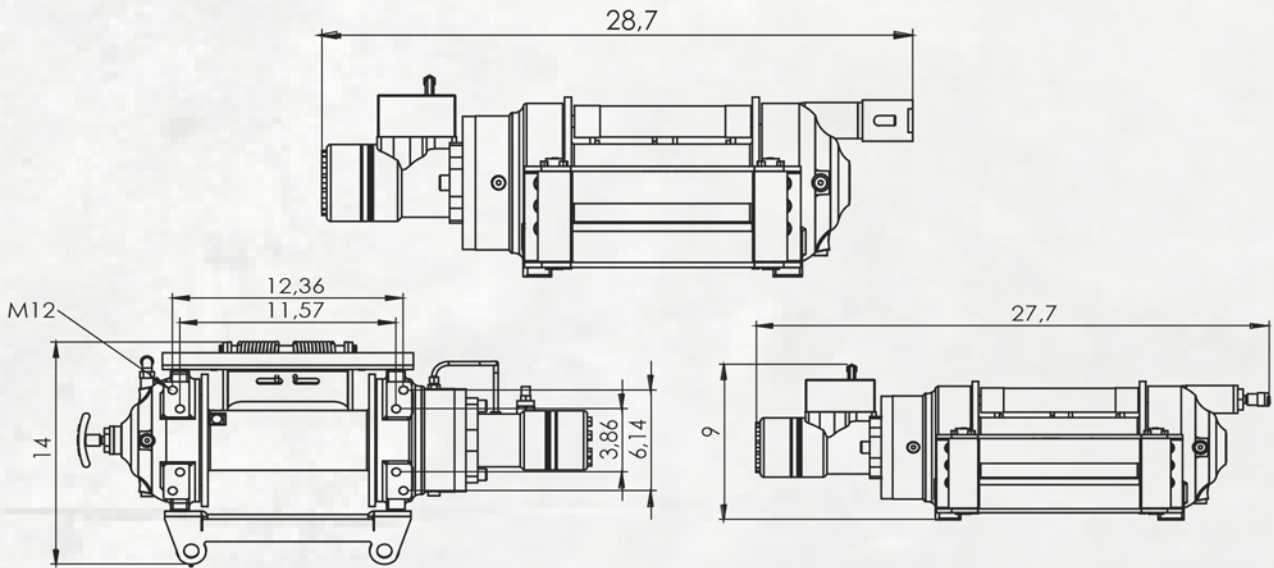
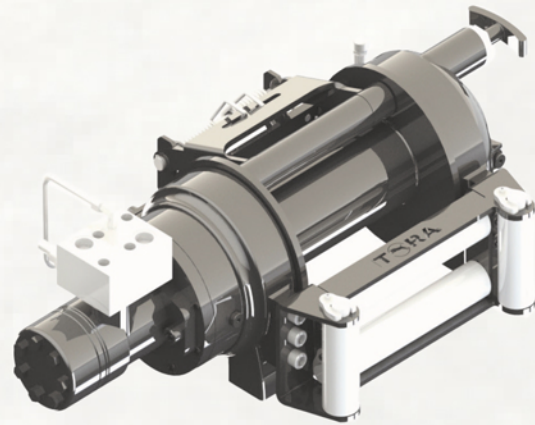
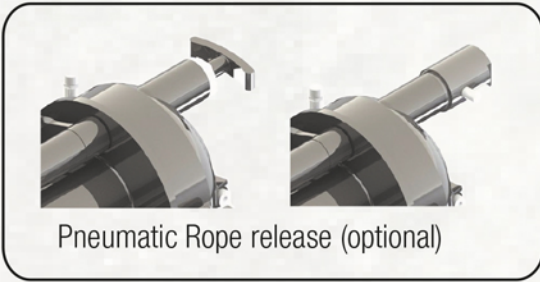


# THW-10K



Rope Winding Count	Pulling Capacity lbs	Winding Speed ft-min	Rope Length ft
1	10000	47	22
2	8370	52	47
3	7215	57	74
4	6342	62	103
5	5657	66	134

<b>Maximum Pulling Force</b>	10000 lbs
<b>Maximum Rope Diameter</b>	3/8"
<b>Maximum Pump Flow</b>	15.8 gpm
<b>Maximum Operating Pressure</b>	2030 psi
<b>Recommended Gear Oil Product</b>	80w 90 - 23.6 fl oz
<b>Weight</b>	141 lbs
<b>Maximum Rope Length</b>	134 ft
<b>Hydromotor</b>	15 in <sup>3</sup>
<b>Gear Ratio</b>	5/1w