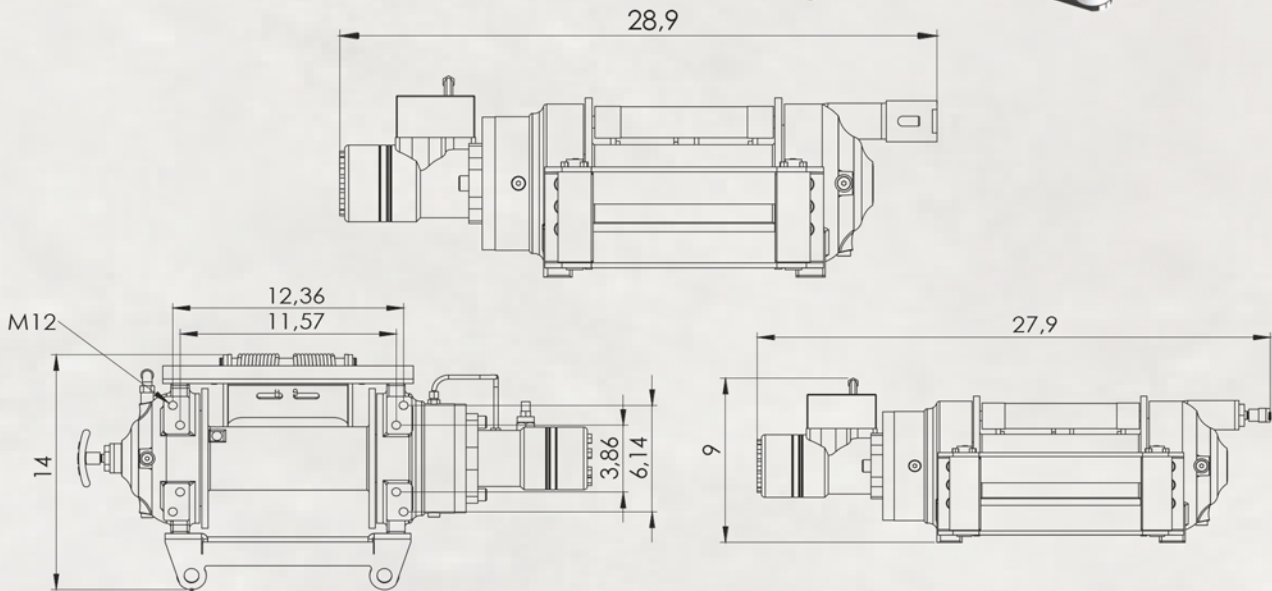
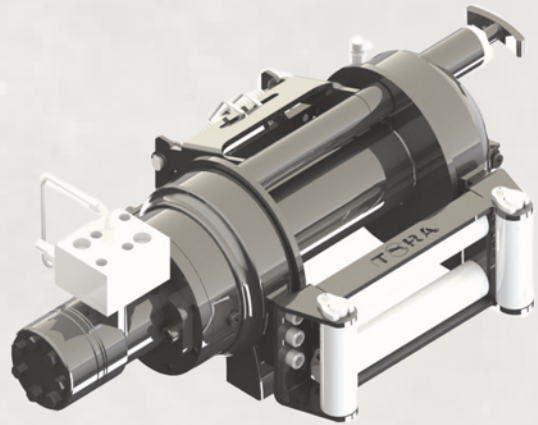
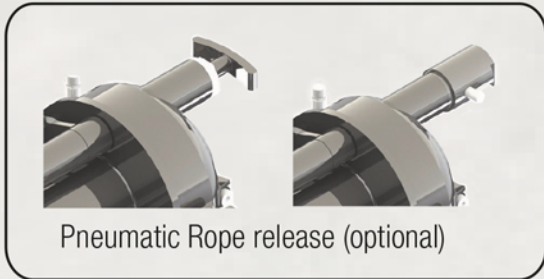


# THW-12K



Rope Winding Count	Pulling Capacity lbs	Winding Speed ft-min	Rope Length ft
1	12000	37	19
2	9920	41	40
3	8510	46	63
4	7360	50	88
5	6494	55	116

Maximum Pulling Force	12000 lbs
Maximum Rope Diameter	1/2"
Maximum Pump Flow	15.8 gpm
Maximum Operating Pressure	1885 psi
Recommended Gear Oil Product	80w 90 - 23.6 fl oz
Weight	143 lbs
Maximum Rope Length	116 ft
Hydromotor	19.2 in <sup>3</sup>
Gear Ratio	5/1