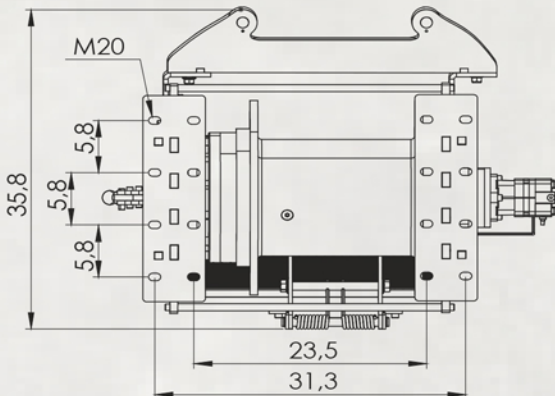
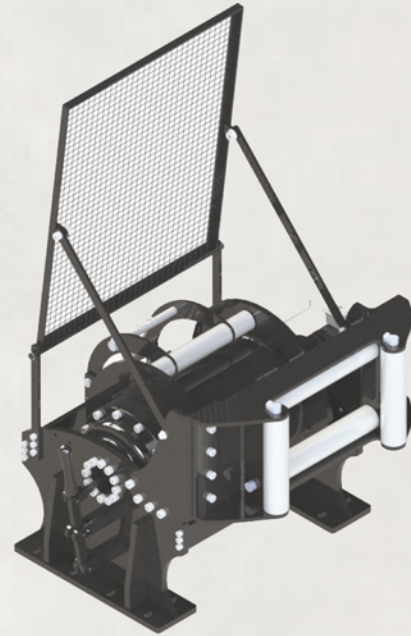
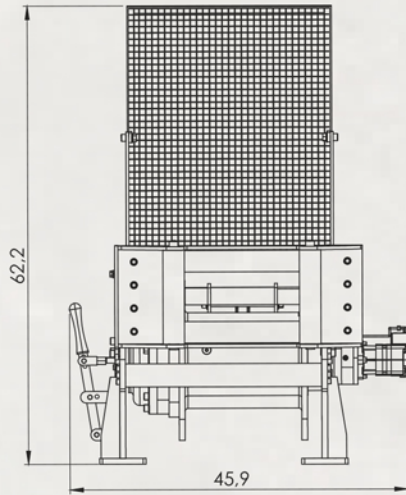


THW-66K



Maximum Pulling Force	66000 lbs
Maximum Rope Diameter	45/64"
Maximum Pump Flow	19.8 gpm
Maximum Operating Pressure	2393 psi
Recommended Gear Oil Product	80w 90 - 135 fl oz
Weight	1069 lbs
Maximum Rope Length	242 ft
Hydromotor	9.6 in ³
Gear Ratio	150/1

Rope Winding Count	Pulling Capacity lbs	Winding Speed ft-min	Rope Length ft
1	66000	11	54
2	58047	12	113
3	51482	14	175
4	45252	16	242