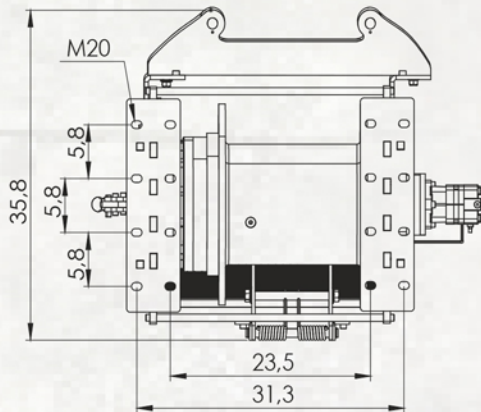
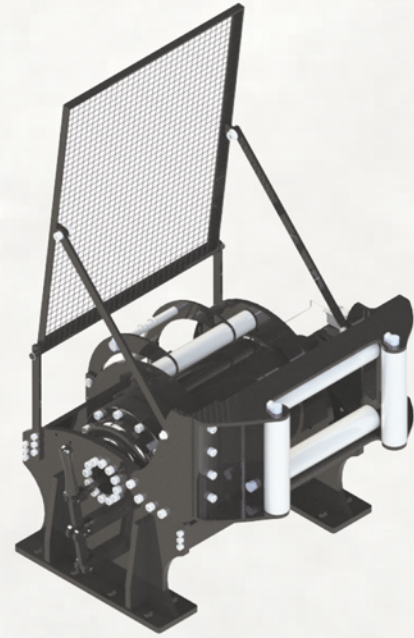
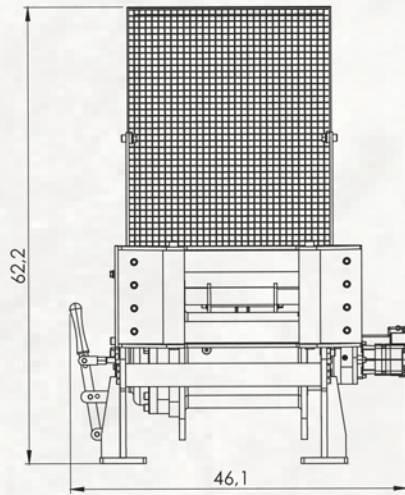


THW-77K



| | |
|-------------------------------------|--------------------|
| Maximum Pulling Force | 77000 lbs |
| Maximum Rope Diameter | 45/64" |
| Maximum Pump Flow | 19.8 gpm |
| Maximum Operating Pressure | 2248 psi |
| Recommended Gear Oil Product | 80w 90 - 135 fl oz |
| Weight | 1080 lbs |
| Maximum Rope Length | 229 ft |
| Hydromotor | 12 in ³ |
| Gear Ratio | 150/1 |

| Rope Winding Count | Pulling Capacity lbs | Winding Speed ft-min | Rope Length ft |
|---------------------------|-----------------------------|-----------------------------|-----------------------|
| 1 | 77000 | 8 | 50 |
| 2 | 67170 | 9 | 105 |
| 3 | 59167 | 10 | 166 |
| 4 | 52869 | 11 | 229 |