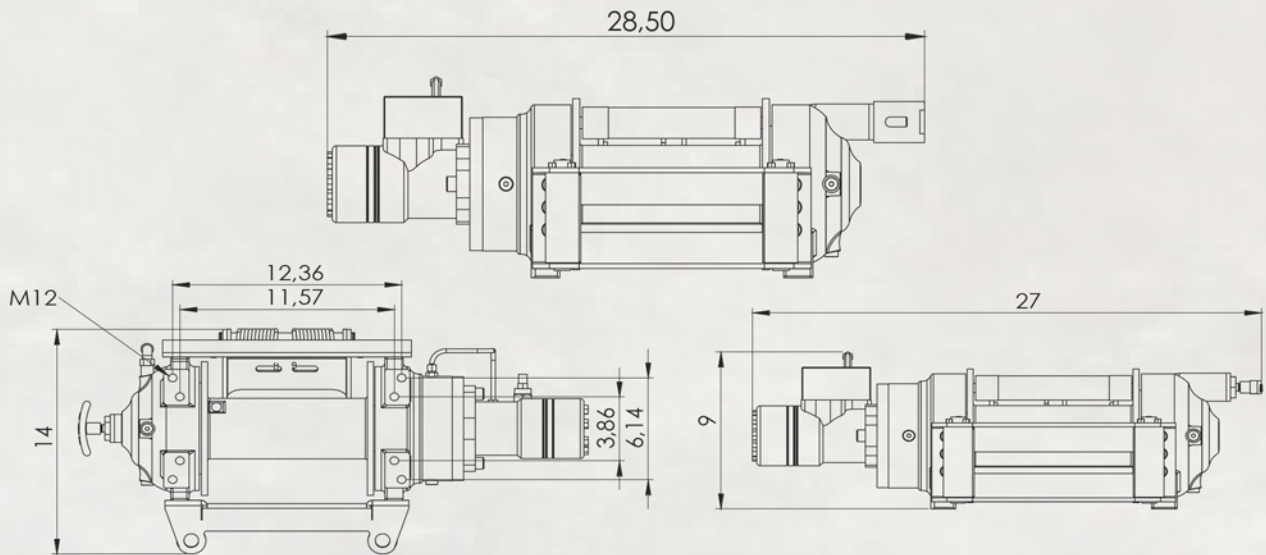
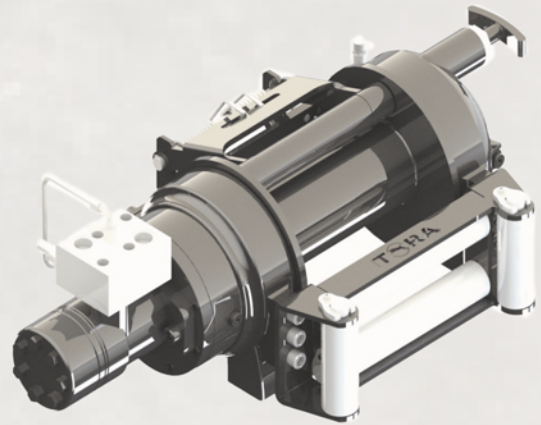
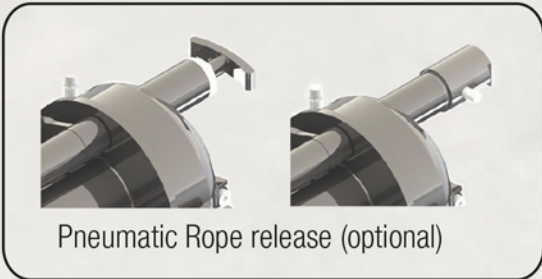


THW-8K



Rope Winding Count	Pulling Capacity lbs	Winding Speed ft-min	Rope Length ft
1	8000	58	22
2	6700	64	47
3	5776	71	74
4	5070	77	103
5	4523	83	134

Maximum Pulling Force	8000 lbs
Maximum Rope Diameter	3/8"
Maximum Pump Flow	15.8 gpm
Maximum Operating Pressure	1740 psi
Recommended Gear Oil Product	80w 90 - 23.6 fl oz
Weight	138 lbs
Maximum Rope Length	134 ft
Hydromotor	12 in ³
Gear Ratio	5/1

