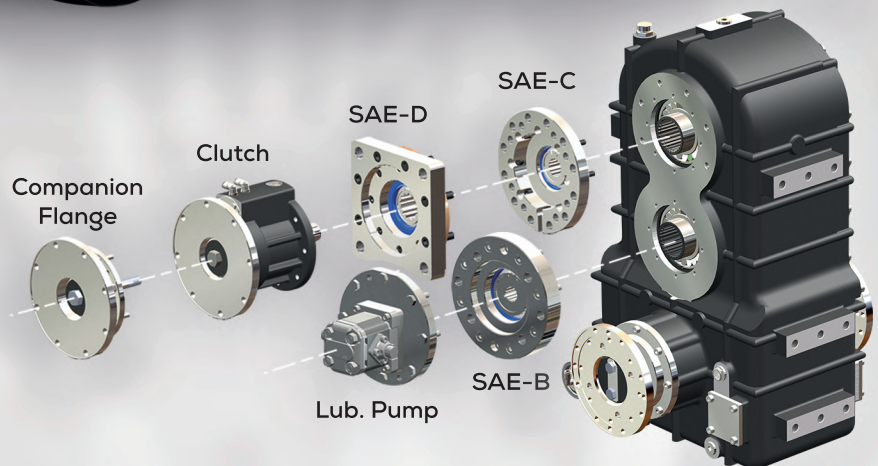




KMS.3000



KMS.3000 SERIES

Scan for
Technical
Details



- Heavy Duty 3 Stage Vertical Transfer Case
- Robust Cast-Iron Body
- Output Type Change Flexibility
- 5 Speed Ratio Options
- Built-in Lubrication System
- Cooling System & Sensor Kit Options

KMS.3000-4B-5F-6C-1-Y-Y

KMS.3000

Heavy Duty Vertical Transference comes with;
 - SAE1810 Flanges on **1&2**
 - Lubrication System on **3**
 - 6 pcs Shock Absorber as standard.

4 & 5 & 6

- B** - SAE-B
- C** - SAE-C
- D** - SAE-D
- E** - SAE-E
- F** - Companion Flange
- SF** - Companion Flange with Pneumatic Separator

Y

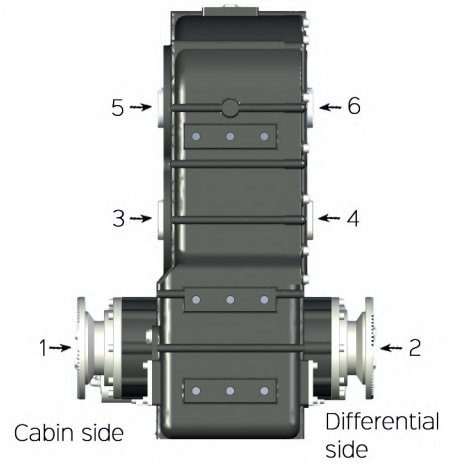
- Y** - Cooling System
- N** - No Cooling System

Y

- Y** - Sensor Kit
- N** - No Sensor Kit

1

- 1** - 1/1
- 1.1** - 1/1.1
- 1.3** - 1/1.3
- 1.5** - 1/1.5
- 1.7** - 1/1.7



IL - TX - FL - NJ - GA - MI - NC - WI

8 States 14 Cities Distribution Centers



Headquarter Contact

- 11417 IL 19, Franklin Park, IL 60131
- (630) 785-2410
- (331) 688-4947
- sales@toracompany.com
- www.toracompany.com



toracompany



tora.company

